



CYPRESS

CY7C65013

CY7C65113

CY7C65013
CY7C65113
USB Hub with Microcontroller

TABLE OF CONTENTS

1.0 FEATURES	5
2.0 FUNCTIONAL OVERVIEW	6
3.0 PIN CONFIGURATIONS	8
4.0 PRODUCT SUMMARY TABLES	9
4.1 Pin Assignments	9
4.2 I/O Register Summary	9
4.3 Instruction Set Summary	11
5.0 PROGRAMMING MODEL	12
5.1 14-Bit Program Counter (PC)	12
5.1.1 Program Memory Organization	13
5.2 8-Bit Accumulator (A)	14
5.3 8-Bit Temporary Register (X)	14
5.4 8-Bit Program Stack Pointer (PSP)	14
5.4.1 Data Memory Organization	14
5.5 8-Bit Data Stack Pointer (DSP)	15
5.6 Address Modes	15
5.6.1 Data (Immediate)	15
5.6.2 Direct	15
5.6.3 Indexed	15
6.0 CLOCKING	16
7.0 RESET	16
7.1 Power-On Reset (POR)	16
7.2 Watch Dog Reset (WDR)	17
8.0 SUSPEND MODE	17
9.0 GENERAL-PURPOSE I/O (GPIO) PORTS	18
9.1 GPIO Configuration Port	19
9.2 GPIO Interrupt Enable Ports	20
10.0 12-BIT FREE-RUNNING TIMER	20
10.1 Timer (LSB)	20
10.2 Timer (MSB)	20
11.0 I ² C CONFIGURATION REGISTER	21
12.0 I ² C COMPATIBLE CONTROLLER	21
13.0 PROCESSOR STATUS AND CONTROL REGISTER	23
14.0 INTERRUPTS	24
14.1 Interrupt Vectors	24
14.2 Interrupt Latency	26
14.3 USB Bus Reset Interrupt	26
14.4 Timer Interrupt	26
14.5 USB Endpoint Interrupts	26
14.6 USB Hub Interrupt	26
14.7 GPIO Interrupt	27
14.8 I ² C Interrupt	27
15.0 USB OVERVIEW	28

15.1 USB Serial Interface Engine (SIE)	28
15.2 USB Enumeration	28
16.0 USB HUB	29
16.1 Connecting/Disconnecting a USB Device	29
16.2 Enabling/Disabling a USB Device	29
16.3 Hub Downstream Ports Status and Control	30
16.4 Downstream Port Suspend and Resume	31
16.5 USB Upstream Port Status and Control	32
17.0 USB SERIAL INTERFACE ENGINE OPERATION	33
17.1 USB Device Addresses	33
17.2 USB Device Endpoints	33
17.3 USB Control Endpoint Mode Registers	34
17.4 USB Non-Control Endpoint Mode Registers	34
17.5 USB Endpoint Counter Registers	35
17.6 Endpoint Mode/Count Registers update and Locking Mechanism	35
18.0 USB MODE TABLES	37
19.0 SAMPLE SCHEMATIC	41
20.0 ABSOLUTE MAXIMUM RATINGS	42
21.0 ELECTRICAL CHARACTERISTICS	42
22.0 SWITCHING CHARACTERISTICS	43
23.0 ORDERING INFORMATION	43
24.0 PACKAGE DIAGRAMS	44

LIST OF FIGURES

Figure 5-1. Program Memory Space with Interrupt Vector Table	13
Figure 6-1. Clock Oscillator On-Chip Circuit	16
Figure 7-1. Watch Dog Reset (WDR)	17
Figure 9-1. Block Diagram of a GPIO Pin	18
Figure 9-2. Port 0 Data 0x00 (read/write)	18
Figure 9-3. Port 1 Data 0x01 (read/write)	18
Figure 9-4. Port 2 Data 0x02 (read/write)	18
Figure 9-5. Port 3 Data 0x03 (read/write)	18
Figure 9-6. GPIO Configuration Register 0x08 (read/write)	19
Figure 9-7. Port 0 Interrupt Enable 0x04 (read/write)	20
Figure 9-8. Port 1 Interrupt Enable 0x05 (read/write)	20
Figure 9-9. Port 2 Interrupt Enable 0x06 (read/write)	20
Figure 9-10. Port 3 Interrupt Enable 0x07 (read/write)	20
Figure 10-1. Timer Register 0x24 (read only)	20
Figure 10-2. Timer Register 0x25 (read only)	20
Figure 10-3. Timer Block Diagram	21
Figure 11-1. I²C Configuration Register 0x09 (read/write)	21
Figure 12-1. I²C Data Register 0x29 (separate read/write registers)	22
Figure 12-2. I²C Status and Control Register 0x28 (read/write)	22
Figure 13-1. Processor Status and Control Register 0xFF	23
Figure 14-1. Global Interrupt Enable Register 0x20 (read/write)	24
Figure 14-2. USB Endpoint Interrupt Enable Register 0x21 (read/write)	24

Figure 14-3. Interrupt Controller Functional Diagram	25
Figure 14-4. Interrupt Vector Register 0x23 (read only)	26
Figure 14-5. GPIO Interrupt Structure	27
Figure 16-1. Hub Ports Connect Status 0x48 (read/write), 1 = connect, 0 = disconnect	29
Figure 16-2. Hub Ports Speed 0x4A (read/write), 1 = Low-Speed, 0 = Full-Speed	29
Figure 16-3. Hub Ports Enable Register 0x49 (read/write), 1 = Enabled, 0 = Disabled	30
Figure 16-4. Hub Downstream Ports Control Register 0x4B (read/write)	30
Figure 16-5. Hub Ports Force Low Register (read/write) 0x51, 1 = Force Low, 0 = no force	31
Figure 16-6. Hub Ports Force High Register (read/write) 0x52, 1=Force High, 0=no force	31
Figure 16-7. Hub Ports SE0 Status Register 0x4F (read only), 1 = SE0, 0 = non-SE0	31
Figure 16-8. Hub Ports Data Register 0x50 (read only), 1 = (D+ > D-), 0 = (D+ < D-)	31
Figure 16-9. Hub Ports Suspend Register 0x4D (read/write), 1 = Port is Selectively Suspended	31
Figure 16-10. Hub Ports Resume Status Register 0x4E (read only), 1 = Port is in Resume State	32
Figure 16-11. USB Status and Control Register 0x1F (read/write)	32
Figure 17-1. USB Device Address Registers 0x10, 0x40 (read/write)	33
Figure 17-2. USB Device Endpoint Zero Mode Registers 0x12 and 0x42, (read/write)	34
Figure 17-3. USB Non-Control Device Endpoint Mode Registers 0x14, 0x16, 0x44, (read/write)	35
Figure 17-4. USB Endpoint Counter Registers 0x11, 0x13, 0x15, 0x41, 0x43 (read/write)	35
Figure 17-5. Token/Data Packet Flow Diagram	36
Figure 22-1. Clock Timing	43
Figure 22-2. USB Data Signal Timing	43

LIST OF TABLES

Table 4-1. Pin Assignments	9
Table 4-2. I/O Register Summary	9
Table 4-3. Instruction Set Summary	11
Table 9-1. Port Configurations	19
Table 11-1. I ² C Port Configuration	21
Table 12-1. I ² C Status and Control Register Bit Definitions	22
Table 14-1. Interrupt Vector Assignments	25
Table 16-1. Control Bit Definition for Downstream Ports	30
Table 16-2. Control Bit Definition for Upstream Port	33
Table 17-1. Memory Allocation for Endpoints	34
Table 18-1. USB Register Mode Encoding	37
Table 18-2. Decode table for <i>Table 18-3: "Details of Modes for Differing Traffic Conditions"</i> ...	38
Table 18-3. Details of Modes for Differing Traffic Conditions	39

1.0 Features

- USB Hub with an integrated microcontroller
- 8-bit USB Optimized Microcontroller
 - Harvard architecture
 - 6-MHz external clock source
 - 12-MHz internal CPU clock
 - 48-MHz internal Hub clock
- Internal memory
 - 256 bytes of RAM
 - 8 KB of PROM
- Integrated Master/Slave I²C compatible Controller (100 kHz) enabled through General-Purpose I/O (GPIO) pins
- I/O ports
 - Three GPIO ports (Port 0 to 2) capable of sinking 7 mA per pin (typical)
 - An additional GPIO port (Port 3) capable of sinking 12 mA per pin (typical) for high current requirements: LEDs
 - Higher current drive achievable by connecting multiple GPIO pins together to drive a common output
 - Each GPIO port can be configured as inputs with internal pull-ups or open drain outputs or traditional CMOS outputs
 - Maskable interrupts on all I/O pins
- 12-bit free-running timer with one microsecond clock ticks
- Watch Dog Timer (WDT)
- Internal Power-On Reset (POR)
- USB Specification Compliance
 - Conforms to USB Specification, Version 1.1
 - Conforms to USB HID Specification, Version 1.1
 - Supports one or two device addresses with up to 5 user-configured endpoints
 - Up to two 8-byte control endpoints
 - Up to four 8-byte data endpoints
 - Up to two 32-byte data endpoints
 - Integrated USB transceivers
 - Supports 7 (CY7C65013) or 4 (CY7C65113) Downstream USB ports
 - GPIO pins can provide individual power control outputs for each Downstream USB port
 - GPIO pins can provide individual port over current inputs for each Downstream USB port
- Improved output drivers to reduce EMI
- Operating voltage from 4.0V to 5.5V DC
- Operating temperature from 0 to 70 degrees Celsius
- CY7C65013 available in 48-pin PDIP (-PC) or 48-pin SSOP (-PVC) packages
- CY7C65113 available in 28-pin SOIC (-SC) or 28-pin PDIP (-PC) packages
- Industry standard programmer support

2.0 Functional Overview

The CY7C65x13 devices are One Time Programmable 8-bit microcontrollers with a built-in 12-Mbps USB hub that supports up to seven downstream ports. The microcontroller instruction set has been optimized specifically for USB operations, although the microcontrollers can be used for a variety of non-USB embedded applications.

The CY7C65013 features 22 GPIO pins to support USB and other applications. The I/O pins are grouped into four ports (P0[7:0], P1[7:4,2:0], P2[7:3], P3[1:0]) where each port can be configured as inputs with internal pull-ups, open drain outputs, or traditional CMOS outputs. Ports 0 to 2 are rated at 7 mA per pin (typical) sink current. Port 3 pins are rated at 12 mA per pin (typical) sink current, which allows these pins to drive LEDs. Multiple GPIO pins can be connected together to drive a single output for more drive current capacity. Additionally, each I/O pin can be used to generate a GPIO interrupt to the microcontroller. All of the GPIO interrupts all share the same "GPIO" interrupt vector.

The CY7C65113 has 11 GPIO pins (P0[7:0], P1[2:0]), both rated at 7 mA per pin (typical) sink current. Multiple GPIO pins can be connected together to drive a single output for more drive current capacity.

The microcontroller uses an external 6-MHz crystal and an internal oscillator to provide a reference to an internal PLL-based clock generator. This technology allows the customer application to use an inexpensive 6-MHz fundamental crystal that reduces the clock-related noise emissions (EMI). A PLL clock generator provides the 6-, 12-, and 48-MHz clock signals for distribution within the microcontroller.

The CY7C65013 and the CY7C65113 are offered with 8 KB of PROM.

These parts include power-on reset logic, a watch dog timer, and a 12-bit free-running timer. The Power-On Reset (POR) logic detects when power is applied to the device, resets the logic to a known state, and begins executing instructions at PROM address 0x0000. The watch dog timer is used to ensure the microcontroller recovers after a period of inactivity. The firmware may become inactive for a variety of reasons, including errors in the code or a hardware failure such as waiting for an interrupt that never occurs.

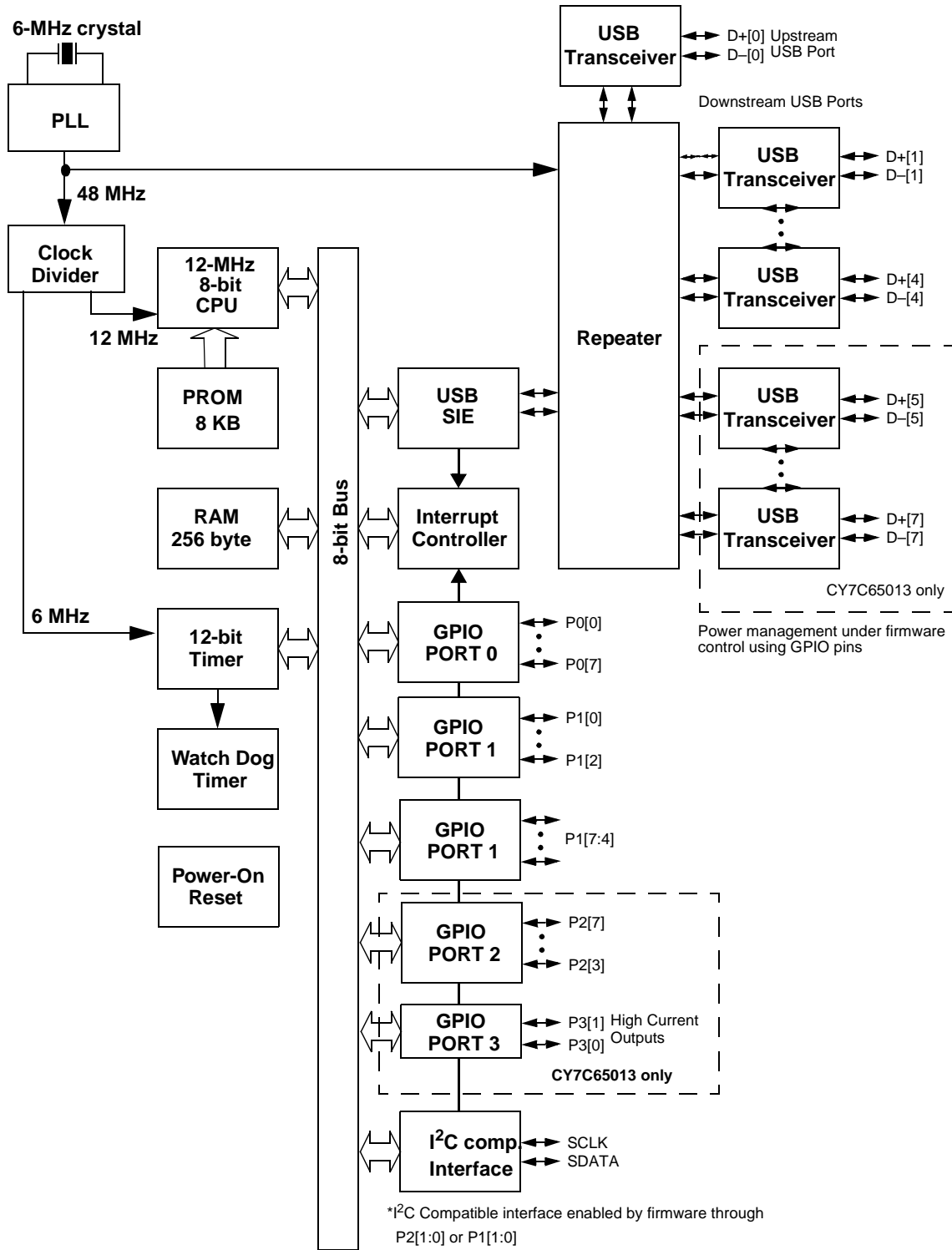
The microcontroller can communicate with external electronics through the GPIO pins. An I²C compatible interface accommodates a 100-kHz serial link with an external device.

The free-running 12-bit timer clocked at 1 MHz provides two interrupt sources, 128- μ s and 1.024-ms. The timer can be used to measure the duration of an event under firmware control by reading the timer at the start of the event and after the event is complete. The difference between the two readings indicates the duration of the event in microseconds. The upper four bits of the timer are latched into an internal register when the firmware reads the lower eight bits. A read from the upper four bits actually reads data from the internal register, instead of the timer. This feature eliminates the need for firmware to try to compensate if the upper four bits increment immediately after the lower eight bits are read.

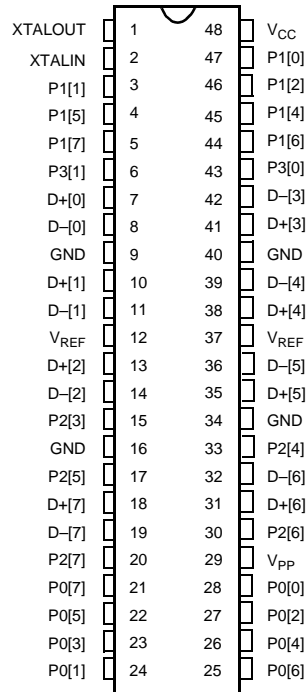
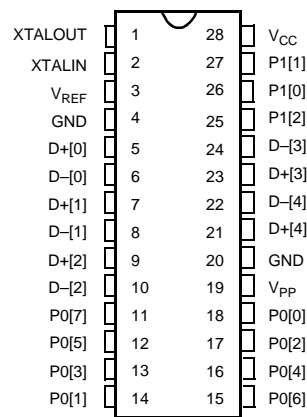
The microcontroller supports 10 maskable interrupts in the vectored interrupt controller. Interrupt sources include the USB Bus Reset interrupt, the 128- μ s (bit 6) and 1.024-ms (bit 9) outputs from the free-running timer, five USB endpoints, the USB hub, the GPIO ports, and the I²C compatible master mode interface. The timer bits cause an interrupt (if enabled) when the bit toggles from LOW '0' to HIGH '1'. The USB endpoints interrupt after the USB host has written data to the endpoint FIFO or after the USB controller sends a packet to the USB host. The GPIO ports also have a level of masking to select which GPIO inputs can cause a GPIO interrupt. Input transition polarity can be programmed for each GPIO port as part of the port configuration. The interrupt polarity can be rising edge ('0' to '1') or falling edge ('1' to '0').

The CY7C65013 and CY7C65113 include an integrated USB Serial Interface Engine (SIE) that supports the integrated peripherals and the hub controller function. The hardware supports up to two USB device addresses with one device address for the hub (two endpoints) and a device address for a compound device (three endpoints). The SIE allows the USB host to communicate with the hub and functions integrated into the microcontroller. The CY7C65113 part includes a 1:4 hub repeater with one upstream port and four downstream ports, while the CY7C65013 part includes a 1:7 hub repeater. The USB Hub allows power management control of the downstream ports by using GPIO pins assigned by the user firmware. The user has the option of ganging the downstream ports together with a single pair of power management pins, or providing power management for each port with four (CY7C65113) or seven (CY7C65013) pairs of power management pins.

Logic Block Diagram



*I²C Compatible interface enabled by firmware through P2[1:0] or P1[1:0]

3.0 Pin Configurations
TOP VIEW
CY7C65013
48-pin SSOP/48 PDIP

CY7C65113
28-pin SOIC/PDIP


4.0 Product Summary Tables

4.1 Pin Assignments

Table 4-1. Pin Assignments

Name	I/O	48-Pin	28-Pin	Description
D+[0], D-[0]	I/O	7, 8	5, 6	Upstream port, USB differential data.
D+[1], D-[1]	I/O	10, 11	7, 8	Downstream Port 1, USB differential data.
D+[2], D-[2]	I/O	13, 14	9, 10	Downstream Port 2, USB differential data.
D+[3], D-[3]	I/O	41, 42	23, 24	Downstream Port 3, USB differential data.
D+[4], D-[4]	I/O	38, 39	21, 22	Downstream Port 4, USB differential data.
D+[5], D-[5]	I/O	35, 36		Downstream Port 5, USB differential data.
D+[6], D-[6]	I/O	31, 32		Downstream Port 6, USB differential data.
D+[7], D-[7]	I/O	18, 19		Downstream Port 7, USB differential data.
P0	I/O	P1[7:0] 21, 25, 22, 26, 23, 27, 24, 28	P1[7:0] 11, 15, 12, 16, 13, 17, 14, 18	GPIO Port 0 capable of sinking 7 mA (typical).
P1	I/O	P1[7:4,2:0] 5, 44, 4, 45; 46, 3, 47	P1[2:0] 25, 27, 26	GPIO Port 1 capable of sinking 7 mA (typical).
P2	I/O	P2[7:3] 20, 30, 17, 33, 15		GPIO Port 2 capable of sinking 12 mA (typical).
P3	I/O	P3[1:0] 6, 43		GPIO Port 3, capable of sinking 12 mA (typical).
XTAL _{IN}	IN	2	2	6-MHz crystal or external clock input.
XTAL _{OUT}	OUT	1	1	6-MHz crystal out.
V _{PP}		29	19	Programming voltage supply, tie to ground during normal operation.
V _{CC}		48	28	Voltage supply.
GND		9, 16, 34, 40	4, 20	Ground.
V _{REF}	IN	12, 37	3	External 3.3V supply voltage for the downstream differential data output buffers and the D+ pull up.

4.2 I/O Register Summary

I/O registers are accessed via the I/O Read (IORD) and I/O Write (IOWR, IOWX) instructions. IORD reads data from the selected port into the accumulator. IOWR performs the reverse; it writes data from the accumulator to the selected port. Indexed I/O Write (IOWX) adds the contents of X to the address in the instruction to form the port address and writes data from the accumulator to the specified port. Specifying address 0 (e.g., IOWX 0h) means the I/O register is selected solely by the contents of X.

All undefined registers are reserved. Do not write to reserved registers as this may cause an undefined operation or increased current consumption during operation. When writing to registers with reserved bits, the reserved bits must be written with '0'.

Table 4-2. I/O Register Summary

Register Name	I/O Address	Read/Write	Function	Page
Port 0 Data	0x00	R/W	GPIO Port 0 Data	18
Port 1 Data	0x01	R/W	GPIO Port 1 Data	18
Port 2 Data	0x02	R/W	GPIO Port 2 Data	18
Port 3 Data	0x03	R/W	GPIO Port 3 Data	18
Port 0 Interrupt Enable	0x04	W	Interrupt Enable for Pins in Port 0	20
Port 1 Interrupt Enable	0x05	W	Interrupt Enable for Pins in Port 1	20
Port 2 Interrupt Enable	0x06	W	Interrupt Enable for Pins in Port 2	20

Table 4-2. I/O Register Summary (continued)

Register Name	I/O Address	Read/Write	Function	Page
Port 3 Interrupt Enable	0x07	W	Interrupt Enable for Pins in Port 3	20
GPIO Configuration	0x08	R/W	GPIO Port Configurations	19
I ² C Configuration	0x09	R/W	I ² C Position Configuration	21
USB Device Address A	0x10	R/W	USB Device Address A	33
EP A0 Counter Register	0x11	R/W	USB Address A, Endpoint 0 Counter	35
EP A0 Mode Register	0x12	R/W	USB Address A, Endpoint 0 Configuration	34
EP A1 Counter Register	0x13	R/W	USB Address A, Endpoint 1 Counter	35
EP A1 Mode Register	0x14	R/W	USB Address A, Endpoint 1 Configuration	35
EP A2 Counter Register	0x15	R/W	USB Address A, Endpoint 2 Counter	35
EP A2 Mode Register	0x16	R/W	USB Address A, Endpoint 2 Configuration	35
USB Status & Control	0x1F	R/W	USB Upstream Port Traffic Status and Control	32
Global Interrupt Enable	0x20	R/W	Global Interrupt Enable	24
Endpoint Interrupt Enable	0x21	R/W	USB Endpoint Interrupt Enables	24
Interrupt Vector	0x23	R	Pending Interrupt Vector Read/Clear	25
Timer (LSB)	0x24	R	Lower 8 Bits of Free-running Timer (1 MHz)	20
Timer (MSB)	0x25	R	Upper 4 Bits of Free-running Timer	20
WDT Clear	0x26	W	Watch Dog Timer Clear	17
I ² C Control & Status	0x28	R/W	I ² C Status and Control	22
I ² C Data	0x29	R/W	I ² C Data	22
<i>Reserved</i>	0x30		Reserved	
<i>Reserved</i>	0x31		Reserved	
<i>Reserved</i>	0x32		Reserved	
<i>Reserved</i>	0x38-0x3F		Reserved	
USB Device Address B	0x40	R/W	USB Device Address B (not used in 5-endpoint mode)	33
EP B0 Counter Register	0x41	R/W	USB Address B, Endpoint 0 Counter	35
EP B0 Mode Register	0x42	R/W	USB Address B, Endpoint 0 Configuration, or USB Address A, Endpoint 3 in 5-endpoint mode	34
EP B1 Counter Register	0x43	R/W	USB Address B, Endpoint 1 Counter	35
EP B1 Mode Register	0x44	R/W	USB Address B, Endpoint 1 Configuration, or USB Address A, Endpoint 4 in 5-endpoint mode	35
Hub Port Connect Status	0x48	R/W	Hub Downstream Port Connect Status	29
Hub Port Enable	0x49	R/W	Hub Downstream Ports Enable	30
Hub Port Speed	0x4A	R/W	Hub Downstream Ports Speed	29
Hub Port Control (Ports [4:1])	0x4B	R/W	Hub Downstream Ports Control (Ports [4:1])	30
Hub Port Control (Ports [7:5])	0x4C	R/W	Hub Downstream Ports Control (Ports [7:5])	30
Hub Port Suspend	0x4D	R/W	Hub Downstream Port Suspend Control	31
Hub Port Resume Status	0x4E	R	Hub Downstream Ports Resume Status	32
Hub Ports SE0 Status	0x4F	R	Hub Downstream Ports SE0 Status	31
Hub Ports Data	0x50	R	Hub Downstream Ports Differential Data	31
Hub Downstream Force Low	0x51	R/W	Hub Downstream Ports Force LOW (Ports [1:4])	31
Hub Downstream Force High	0x52	R/W	Hub Downstream Ports Force HIGH (Ports [5:7])	31
Processor Status & Control	0xFF	R/W	Microprocessor Status and Control Register	23

4.3 Instruction Set Summary

Refer to the *CYASM Assembler User's Guide* for more details.

Table 4-3. Instruction Set Summary

MNEMONIC	operand	opcode	cycles	MNEMONIC	operand	opcode	cycles
HALT		00	7	NOP		20	4
ADD A,expr	data	01	4	INC A	acc	21	4
ADD A,[expr]	direct	02	6	INC X	x	22	4
ADD A,[X+expr]	index	03	7	INC [expr]	direct	23	7
ADC A,expr	data	04	4	INC [X+expr]	index	24	8
ADC A,[expr]	direct	05	6	DEC A	acc	25	4
ADC A,[X+expr]	index	06	7	DEC X	x	26	4
SUB A,expr	data	07	4	DEC [expr]	direct	27	7
SUB A,[expr]	direct	08	6	DEC [X+expr]	index	28	8
SUB A,[X+expr]	index	09	7	IORD expr	address	29	5
SBB A,expr	data	0A	4	IOWR expr	address	2A	5
SBB A,[expr]	direct	0B	6	POP A		2B	4
SBB A,[X+expr]	index	0C	7	POP X		2C	4
OR A,expr	data	0D	4	PUSH A		2D	5
OR A,[expr]	direct	0E	6	PUSH X		2E	5
OR A,[X+expr]	index	0F	7	SWAP A,X		2F	5
AND A,expr	data	10	4	SWAP A,DSP		30	5
AND A,[expr]	direct	11	6	MOV [expr],A	direct	31	5
AND A,[X+expr]	index	12	7	MOV [X+expr],A	index	32	6
XOR A,expr	data	13	4	OR [expr],A	direct	33	7
XOR A,[expr]	direct	14	6	OR [X+expr],A	index	34	8
XOR A,[X+expr]	index	15	7	AND [expr],A	direct	35	7
CMP A,expr	data	16	5	AND [X+expr],A	index	36	8
CMP A,[expr]	direct	17	7	XOR [expr],A	direct	37	7
CMP A,[X+expr]	index	18	8	XOR [X+expr],A	index	38	8
MOV A,expr	data	19	4	IOWX [X+expr]	index	39	6
MOV A,[expr]	direct	1A	5	CPL		3A	4
MOV A,[X+expr]	index	1B	6	ASL		3B	4
MOV X,expr	data	1C	4	ASR		3C	4
MOV X,[expr]	direct	1D	5	RLC		3D	4
<i>reserved</i>		1E		RRC		3E	4
XPAGE		1F	4	RET		3F	8
MOV A,X		40	4	DI		70	4
MOV X,A		41	4	EI		72	4
MOV PSP,A		60	4	RETI		73	8
CALL	addr	50-5F	10	JC	addr	C0-CF	5
JMP	addr	80-8F	5	JNC	addr	D0-DF	5
CALL	addr	90-9F	10	JACC	addr	E0-EF	7
JZ	addr	A0-AF	5	INDEX	addr	F0-FF	14
JNZ	addr	B0-BF	5				

5.0 Programming Model

5.1 14-Bit Program Counter (PC)

The 14-bit Program Counter (PC) allows access to up to 8 KB of PROM available with the CY7C65x13 architecture. The top 32 bytes of the ROM in the 8K part are reserved for testing purposes. The program counter is cleared during reset, such that the first instruction executed after a reset is at address 0x0000h. Typically, this is a jump instruction to a reset handler that initializes the application (see Interrupt Vectors on page 24).

The lower eight bits of the program counter are incremented as instructions are loaded and executed. The upper six bits of the program counter are incremented by executing an XPAGE instruction. As a result, the last instruction executed within a 256-byte "page" of sequential code should be an XPAGE instruction. The assembler directive "XPAGEON" causes the assembler to insert XPAGE instructions automatically. Because instructions can be either one or two bytes long, the assembler may occasionally need to insert a NOP followed by an XPAGE to execute correctly.

The address of the next instruction to be executed, the carry flag, and the zero flag are saved as two bytes on the program stack during an interrupt acknowledge or a CALL instruction. The program counter, carry flag, and zero flag are restored from the program stack during a RETI instruction. Only the program counter is restored during a RET instruction.

The program counter cannot be accessed directly by the firmware. The program stack can be examined by reading SRAM from location 0x00 and up.

5.1.1 Program Memory Organization

Address	Description
0x0000	Program execution begins here after a reset
0x0002	USB Bus Reset interrupt vector
0x0004	128- μ s timer interrupt vector
0x0006	1.024-ms timer interrupt vector
0x0008	USB address A endpoint 0 interrupt vector
0x000A	USB address A endpoint 1 interrupt vector
0x000C	USB address A endpoint 2 interrupt vector
0x000E	USB address B endpoint 0 interrupt vector
0x0010	USB address B endpoint 1 interrupt vector
0x0012	Hub interrupt vector
0x0014	Reserved
0x0016	GPIO interrupt vector
0x0018	I ² C interrupt vector
0x001A	Program Memory begins here
0x1FDF	8 KB (-32) PROM ends here (CY7C65013, CY7C65113)

Figure 5-1. Program Memory Space with Interrupt Vector Table

5.2 8-Bit Accumulator (A)

The accumulator is the general-purpose register for the microcontroller.

5.3 8-Bit Temporary Register (X)

The “X” register is available to the firmware for temporary storage of intermediate results. The microcontroller can perform indexed operations based on the value in X. Refer to Section 5.6.3 for additional information.

5.4 8-Bit Program Stack Pointer (PSP)

During a reset, the Program Stack Pointer (PSP) is set to 0x00 and “grows” upward from this address. The PSP may be set by firmware, using the MOV PSP,A instruction. The PSP supports interrupt service under hardware control and CALL, RET, and RETI instructions under firmware control. The PSP is not readable by the firmware.

During an interrupt acknowledge, interrupts are disabled and the 14-bit program counter, carry flag, and zero flag are written as two bytes of data memory. The first byte is stored in the memory addressed by the PSP, then the PSP is incremented. The second byte is stored in memory addressed by the PSP, and the PSP is incremented again. The overall effect is to store the program counter and flags on the program “stack” and increment the PSP by two.

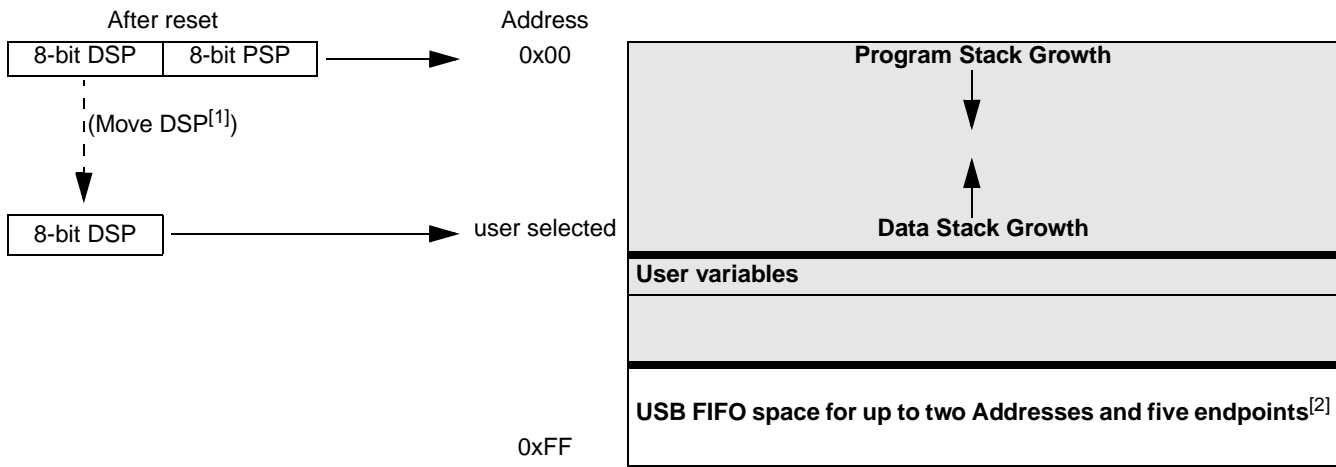
The Return From Interrupt (RETI) instruction decrements the PSP, then restores the second byte from memory addressed by the PSP. The PSP is decremented again and the first byte is restored from memory addressed by the PSP. After the program counter and flags have been restored from stack, the interrupts are enabled. The overall effect is to restore the program counter and flags from the program stack, decrement the PSP by two, and re-enable interrupts.

The Call Subroutine (CALL) instruction stores the program counter and flags on the program stack and increments the PSP by two.

The Return From Subroutine (RET) instruction restores the program counter but not the flags from the program stack and decrements the PSP by two.

5.4.1 Data Memory Organization

The CY7C65x13 microcontrollers provide 256 bytes of data RAM. Normally, the SRAM is partitioned into four areas: program stack, user variables, data stack, and USB endpoint FIFOs. The following is one example of where the program stack, data stack, and user variables areas could be located.



Notes:

1. Refer to Section 5.5 for a description of DSP.
2. Endpoint sizes are fixed by the Endpoint Size Bit (I/O register 0x1F, Bit 7), see *Table 17-1*.

5.5 8-Bit Data Stack Pointer (DSP)

The Data Stack Pointer (DSP) supports PUSH and POP instructions that use the data stack for temporary storage. A PUSH instruction pre-decrements the DSP, then writes data to the memory location addressed by the DSP. A POP instruction reads data from the memory location addressed by the DSP, then post-increments the DSP.

During a reset, the DSP is reset to 0x00. A PUSH instruction when DSP equals 0x00 writes data at the top of the data RAM (address 0xFF). This writes data to the memory area reserved for USB endpoint FIFOs. Therefore, the DSP should be indexed at an appropriate memory location that does not compromise the Program Stack, user-defined memory (variables), or the USB endpoint FIFOs.

For USB applications, the firmware should set the DSP to an appropriate location to avoid a memory conflict with RAM dedicated to USB FIFOs. The memory requirements for the USB endpoints are described in Section 17.2. Example assembly instructions to do this with two device addresses (FIFOs begin at 0xD8) are shown below:

```
MOV A,20h ; Move 20 hex into Accumulator (must be D8h or less)
SWAP A,DSP ; swap accumulator value into DSP register
```

5.6 Address Modes

The CY7C65013 and CY7C65113 microcontrollers support three addressing modes for instructions that require data operands: data, direct, and indexed.

5.6.1 Data (Immediate)

“Data” address mode refers to a data operand that is actually a constant encoded in the instruction. As an example, consider the instruction that loads A with the constant 0xD8:

- MOV A,0D8h

This instruction requires two bytes of code where the first byte identifies the “MOV A” instruction with a data operand as the second byte. The second byte of the instruction is the constant “0xD8.” A constant may be referred to by name if a prior “EQU” statement assigns the constant value to the name. For example, the following code is equivalent to the example shown above:

- DSPINIT: EQU 0D8h
- MOV A,DSPINIT

5.6.2 Direct

“Direct” address mode is used when the data operand is a variable stored in SRAM. In that case, the one byte address of the variable is encoded in the instruction. As an example, consider an instruction that loads A with the contents of memory address location 0x10:

- MOV A,[10h]

Normally, variable names are assigned to variable addresses using “EQU” statements to improve the readability of the assembler source code. As an example, the following code is equivalent to the example shown above:

- buttons: EQU 10h
- MOV A,[buttons]

5.6.3 Indexed

“Indexed” address mode allows the firmware to manipulate arrays of data stored in SRAM. The address of the data operand is the sum of a constant encoded in the instruction and the contents of the “X” register. Normally, the constant is the “base” address of an array of data and the X register contains an index that indicates which element of the array is actually addressed:

- array: EQU 10h
- MOV X,3
- MOV A,[X+array]

This would have the effect of loading A with the fourth element of the SRAM “array” that begins at address 0x10. The fourth element would be at address 0x13.

6.0 Clocking

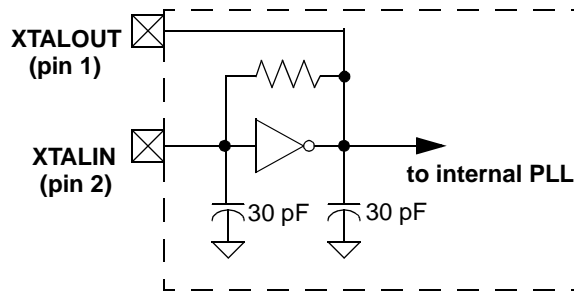


Figure 6-1. Clock Oscillator On-Chip Circuit

The XTALIN and XTALOUT are the clock pins to the microcontroller. The user can connect an external oscillator or a crystal to these pins. When using an external crystal, keep PCB traces between the chip leads and crystal as short as possible (less than 2 cm). A 6-MHz fundamental frequency parallel resonant crystal can be connected to these pins to provide a reference frequency for the internal PLL. The two internal 30-pF load caps appear in series to the external crystal and would be equivalent to a 15-pF load. Therefore, the crystal must have a required load capacitance of about 15–18 pF. A ceramic resonator does not allow the microcontroller to meet the timing specifications of full speed USB and therefore a ceramic resonator is not recommended with these parts.

An external 6-MHz clock can be applied to the XTALIN pin if the XTALOUT pin is left open. Grounding the XTALOUT pin when driving XTALIN with an oscillator does not work because the internal clock is effectively shorted to ground.

7.0 Reset

The CY7C65x13 supports two resets: Power-On Reset (POR) and a Watch Dog Reset (WDR). Each of these resets causes:

- all registers to be restored to their default states,
- the USB Device Addresses to be set to 0,
- all interrupts to be disabled,
- the PSP and Data Stack Pointer (DSP) to be set to memory address 0x00.

The occurrence of a reset is recorded in the Processor Status and Control Register, as described in Section 13.0. Bits 4 and 6 are used to record the occurrence of POR and WDR respectively. Firmware can interrogate these bits to determine the cause of a reset.

Program execution starts at ROM address 0x0000 after a reset. Although this looks like interrupt vector 0, there is an important difference. Reset processing does NOT push the program counter, carry flag, and zero flag onto program stack. The firmware reset handler should configure the hardware before the “main” loop of code. Attempting to execute a RET or RETI in the firmware reset handler causes unpredictable execution results.

7.1 Power-On Reset (POR)

When V_{CC} is first applied to the chip, the Power-On Reset (POR) signal is asserted and the CY7C65x13 enters a “semi-suspend” state. During the semi-suspend state, which is different from the suspend state defined in the USB specification, the oscillator and all other blocks of the part are functional, except for the CPU. This semi-suspend time ensures that both a valid V_{CC} level is reached and that the internal PLL has time to stabilize before full operation begins. When the V_{CC} has risen above approximately 2.5V, and the oscillator is stable, the POR is deasserted and the on-chip timer starts counting. The first 1 ms of suspend time is not interruptible, and the semi-suspend state continues for an additional 95 ms unless the count is bypassed by a USB Bus Reset on the upstream port. The 95 ms provides time for V_{CC} to stabilize at a valid operating voltage before the chip executes code.

If a USB Bus Reset occurs on the upstream port during the 95 ms semi-suspend time, the semi-suspend state is aborted and program execution begins immediately from address 0x0000. In this case, the Bus Reset interrupt is pending but not serviced until firmware sets the USB Bus Reset Interrupt Enable bit (bit 0 of register 0x20) and enables interrupts with the EI command.

The POR signal is asserted whenever V_{CC} drops below approximately 2.5V, and remains asserted until V_{CC} rises above this level again. Behavior is the same as described above.

7.2 Watch Dog Reset (WDR)

The Watch Dog Timer Reset (WDR) occurs when the internal Watch Dog Timer rolls over. Writing any value to the write-only Watch Dog Restart Register at address 0x26 clears the timer. The timer rolls over and WDR occurs if it is not cleared within t_{WATCH} (8 ms minimum) of the last clear. Bit 6 of the Processor Status and Control Register is set to record this event (the register contents are set to 010X0001 by the WDR). A Watch Dog Timer Reset lasts for 2 ms, after which the microcontroller begins execution at ROM address 0x0000.

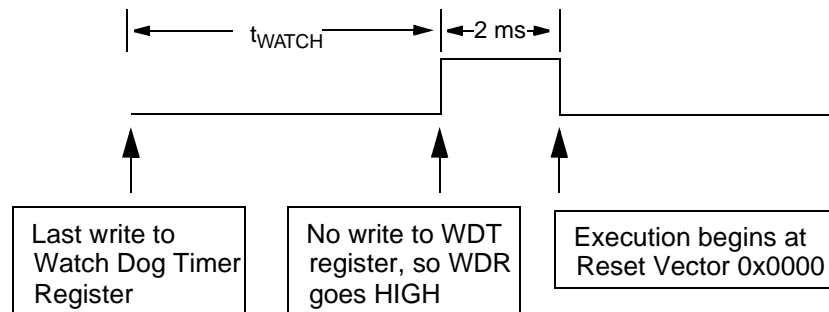


Figure 7-1. Watch Dog Reset (WDR)

The USB transmitter is disabled by a Watch Dog Reset because the USB Device Address Registers are cleared (see Section 17.1). Otherwise, the USB Controller would respond to all address 0 transactions.

It is possible for the WDR bit of the Processor Status and Control Register (0xFF) to be set following a POR event. If a firmware interrogates the Processor Status and Control Register for a set condition on the WDR bit, the WDR bit should be ignored if the POR (bit 3 of register 0xFF) bit is set.

8.0 Suspend Mode

The CY7C65xxx can be placed into a low-power state by setting the Suspend bit of the Processor Status and Control register. All logic blocks in the device are turned off except the GPIO interrupt logic and the USB receiver. The clock oscillator and PLL, as well as the free-running and watch dog timers, are shut down. Only the occurrence of an enabled GPIO interrupt or non-idle bus activity at a USB upstream or downstream port wakes the part out of suspend. The Run bit in the Processor Status and Control Register must be set to resume a part out of suspend.

The clock oscillator restarts immediately after exiting suspend mode. The microcontroller returns to a fully functional state 1 ms after the oscillator is stable. The microcontroller executes the instruction following the I/O write that placed the device into suspend mode before servicing any interrupt requests.

The GPIO interrupt allows the controller to wake-up periodically and poll system components while maintaining a very low average power consumption. To achieve the lowest possible current during suspend mode, all I/O should be held at V_{CC} or Gnd. **Note:** *This also applies to internal port pins that may not be bonded in a particular package.*

Typical code for entering suspend is shown below:

```

...           ; All GPIO set to low-power state (no floating pins)
...           ; Enable GPIO interrupts if desired for wake-up
mov a, 09h    ; Set suspend and run bits
iowr FFh     ; Write to Status and Control Register - Enter suspend, wait for USB activity (or GPIO Interrupt)
nop          ; This executes before any ISR
...           ; Remaining code for exiting suspend routine

```

9.0 General-Purpose I/O (GPIO) Ports

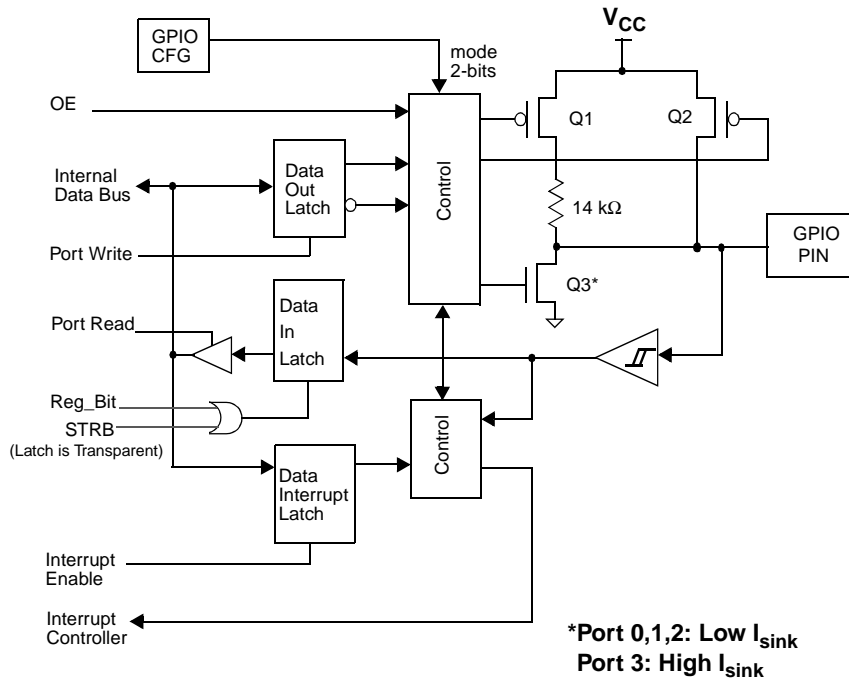


Figure 9-1. Block Diagram of a GPIO Pin

There are up to 32 GPIO pins (P0[7:0], P1[7:4,2:0], P2[7:3], and P3[1:0]) for the hardware interface. The number of GPIO pins changes based on the package type of the chip. Each port can be configured as inputs with internal pull-ups, open drain outputs, or traditional CMOS outputs. Port 3 offers a higher current drive, with typical current sink capability of 12 mA. The data for each GPIO port is accessible through the data registers. Port data registers are shown in *Figure 9-2* through *Figure 9-5*, and are set to 1 on reset.

7	6	5	4	3	2	1	0
P0[7]	P0[6]	P0[5]	P0[4]	P0[3]	P0[2]	P0[1]	P0[0]

Figure 9-2. Port 0 Data 0x00 (read/write)

7	6	5	4	3	2	1	0
P1[7]	P1[6]	P1[5]	P1[4]	P1[3]	P1[2]	P1[1]	P1[0]

Figure 9-3. Port 1 Data 0x01 (read/write)

7	6	5	4	3	2	1	0
P2[7]	P2[6]	P2[5]	P2[4]	P2[3]	P2[2]	P2[1]	P2[0]

Figure 9-4. Port 2 Data 0x02 (read/write)

7	6	5	4	3	2	1	0
P3[7] (see text)	P3[6]	P3[5]	P3[4]	P3[3]	P3[2]	P3[1]	P3[0]

Figure 9-5. Port 3 Data 0x03 (read/write)

Special care should be taken with any unused GPIO data bits. An unused GPIO data bit, either a pin on the chip or a port bit that is not bonded on a particular package, must not be left floating when the device enters the suspend state. If a GPIO data bit is left floating, the leakage current caused by the floating bit may violate the suspend current limitation specified by the USB Specifications. If a '1' is written to the unused data bit and the port is configured with open drain outputs, the unused data bit remains in an indeterminate state. Therefore, if an unused port bit is programmed in open-drain mode, it must be written with a '0.' Notice that the CY7C65113 always requires that P1[7:3], P2[7:0], and P3[7:0] be written with a '0.' When the CY7C65013 is used, the P1[3], P2[2:0], and P3[7:2] should be written with a '0.'

A read from a GPIO port always returns the present state of the voltage at the pin, independent of the settings in the Port Data Registers. During reset, all of the GPIO pins are set to a high-impedance input state ('1' in open drain mode). Writing a '0' to a GPIO pin drives the pin LOW. In this state, a '0' is always read on that GPIO pin unless an external source overdrives the internal pull-down device.

9.1 GPIO Configuration Port

Every GPIO port can be programmed as inputs with internal pull-ups, open drain outputs, and traditional CMOS outputs. In addition, the interrupt polarity for each port can be programmed. With positive interrupt polarity, a rising edge ('0' to '1') on an input pin causes an interrupt. With negative polarity, a falling edge ('1' to '0') on an input pin causes an interrupt. As shown in the table below, when a GPIO port is configured with CMOS outputs, interrupts from that port are disabled. The GPIO Configuration Port register provides two bits per port to program these features. The possible port configurations are detailed in *Table 9-1*.

Table 9-1. Port Configurations

Port Configuration bits	Pin Interrupt Bit	Driver Mode	Interrupt Polarity
11	0	Resistive	Disabled
	1	Resistive	-
10	0	CMOS Output	Disabled
	1	Open Drain	Disabled
01	0	Open Drain	Disabled
	1	Open Drain	-
00 (Reset State)	0	Open Drain	Disabled (Default Condition)
	1	Open Drain	+

In "Resistive" mode, a 14-kΩ pull-up resistor is conditionally enabled for all pins of a GPIO port. An I/O pin is driven HIGH through a 14-kΩ pull-up resistor when a '1' has been written to the pin. The output pin is driven LOW with the pull-up disabled when a '0' has been written to the pin. An I/O pin that has been written as a '1' can be used as an input pin with the integrated 14-kΩ pull-up resistor. Resistive mode selects a negative (falling edge) interrupt polarity on all pins that have the GPIO interrupt enabled.

In "CMOS" mode, all pins of the GPIO port are outputs that are actively driven. A CMOS port is not a possible source for interrupts.

In "Open Drain" mode, the internal pull-up resistor and CMOS driver (HIGH) are both disabled. An open drain I/O pin that has been written as a '1' can be used as an input or an open drain output. An I/O pin that has been written as a '0' drives the output low. The interrupt polarity for an open drain GPIO port can be selected as positive (rising edge) or negative (falling edge).

During reset, all of the bits in the GPIO Configuration Register are written with '0' to select Open Drain output for all GPIO ports as the default configuration.

7	6	5	4	3	2	1	0
Port 3 Config Bit 1	Port 3 Config Bit 0	Port 2 Config Bit 1	Port 2 Config Bit 0	Port 1 Config Bit 1	Port 1 Config Bit 0	Port 0 Config Bit 1	Port 0 Config Bit 0

Figure 9-6. GPIO Configuration Register 0x08 (read/write)

9.2 GPIO Interrupt Enable Ports

Each GPIO pin can be individually enabled or disabled as an interrupt source. The Port 0–3 Interrupt Enable registers provide this feature with an interrupt enable bit for each GPIO pin.

During a reset, GPIO interrupts are disabled by clearing all of the GPIO interrupt enable ports. Writing a ‘1’ to a GPIO Interrupt Enable bit enables GPIO interrupts from the corresponding input pin. All GPIO pins share a common interrupt, as discussed in Section 14.7.

7	6	5	4	3	2	1	0
P0[7]	P0[6]	P0[5]	P0[4]	P0[3]	P0[2]	P0[1]	P0[0]

Figure 9-7. Port 0 Interrupt Enable 0x04 (write only)

7	6	5	4	3	2	1	0
P1[7]	P1[6]	P1[5]	P1[4]	P1[3]	P1[2]	P1[1]	P1[0]

Figure 9-8. Port 1 Interrupt Enable 0x05 (write only)

7	6	5	4	3	2	1	0
P2[7]	P2[6]	P2[5]	P2[4]	P2[3]	P2[2]	P2[1]	P2[0]

Figure 9-9. Port 2 Interrupt Enable 0x06 (write only)

7	6	5	4	3	2	1	0
reserved - set to zero	P3[6]	P3[5]	P3[4]	P3[3]	P3[2]	P3[1]	P3[0]

Figure 9-10. Port 3 Interrupt Enable 0x07 (write only)

10.0 12-Bit Free-Running Timer

The 12-bit timer provides two interrupts (128- μ s and 1.024-ms) and allows the firmware to directly time events that are up to 4 ms in duration. The lower 8 bits of the timer can be read directly by the firmware. Reading the lower 8 bits latches the upper 4 bits into a temporary register. When the firmware reads the upper 4 bits of the timer, it is accessing the count stored in the temporary register. The effect of this logic is to ensure a stable 12-bit timer value can be read, even when the two reads are separated in time.

10.1 Timer (LSB)

7	6	5	4	3	2	1	0
Timer Bit 7	Timer Bit 6	Timer Bit 5	Timer Bit 4	Timer Bit 3	Timer Bit 2	Timer Bit 1	Timer Bit 0

Figure 10-1. Timer Register 0x24 (read only)

10.2 Timer (MSB)

7	6	5	4	3	2	1	0
Reserved	Reserved	Reserved	Reserved	Timer Bit 11	Timer Bit 10	Timer Bit 9	Timer Bit 8

Figure 10-2. Timer Register 0x25 (read only)

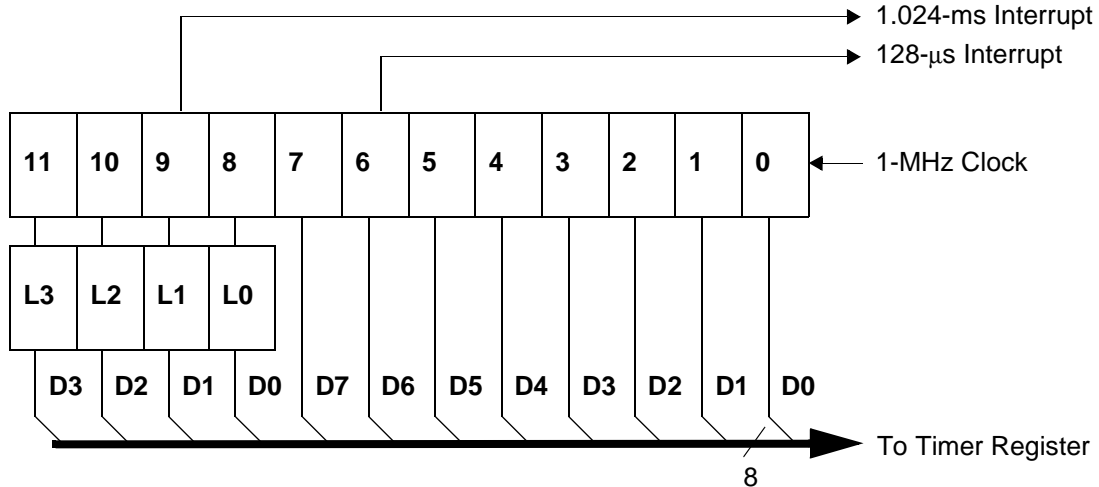


Figure 10-3. Timer Block Diagram

11.0 I²C Configuration Register

Internal hardware supports communication with external devices through an I²C compatible interface. I²C compatible function is discussed in detail in Section 12.0. Bit 7 of I²C Configuration Register selects I²C compatible functionality on Port 1 or Port 2. This bit is cleared on reset.

7	6	5	4	3	2	1	0
R/W							
I ² C Position	Reserved	Reserved	Reserved	Reserved	Reserved	Reserved	Reserved

Figure 11-1. I²C Configuration Register 0x09 (read/write)

Note: I²C compatible function must be separately enabled as described in Section 12.0.

Table 11-1. I²C Port Configuration

I ² C Position Bit[7]	Port Width Bit[1]	I ² C Position
X	1	I ² C on P2[1:0], 0:SCL, 1:SDA
0	0	I ² C on P1[1:0], 0:SCL, 1:SDA
1	0	I ² C on P2[1:0], 0:SCL, 1:SDA

12.0 I²C Compatible Controller

The I²C compatible block provides a versatile two-wire communication with external devices, supporting master, slave, and multi-master modes of operation. The I²C compatible block functions by handling the low-level signaling in hardware, and issuing interrupts as needed to allow firmware to take appropriate action during transactions. While waiting for firmware response, the hardware keeps the I²C compatible bus idle if necessary.

The I²C compatible block generates an interrupt to the microcontroller at the end of each received or transmitted byte, when a stop bit is detected by the slave when in receive mode, or when arbitration is lost. Details of the interrupt responses are given in Section 14.8.

The I²C compatible interface consists of two registers, an I²C Data Register (*Figure 12-1*) and an I²C Status and Control Register (*Figure 12-2*). The Data Register is implemented as separate read and write registers. Generally, the I²C Status and Control Register should only be monitored after the I²C interrupt, as all bits are valid at that time. Polling this register at other times could read bit misleading bit status if a transaction is underway.

The I²C SCL clock is connected to bit 0 of GPIO port 1 or GPIO port 2, and the I²C SDA data is connected to bit 1 of GPIO port 1 or GPIO port 2. Refer to Section 11.0 for the bit definitions and functionality of the I²C Configuration Register, which is used to set the locations of the configurable I²C compatible pins. Once the I²C compatible functionality is enabled by setting bit 0 of the

I²C Status & Control Register, the two LSB ([1:0]) of the corresponding GPIO port is placed in Open Drain mode, regardless of the settings of the GPIO Configuration Register. The electrical characteristics of the I²C compatible interface is the same as that of GPIO ports 1 and 2. Note that the I_{OL} (max) is 2 mA @ V_{OL} = 2.0V for ports 1 and 2.

All control of the I²C clock and data lines is performed by the I²C compatible block.

7	6	5	4	3	2	1	0
I ² C Data 7	I ² C Data 6	I ² C Data 5	I ² C Data 4	I ² C Data 3	I ² C Data 2	I ² C Data 1	I ² C Data 0

Figure 12-1. I²C Data Register 0x29 (separate read/write registers)

7	6	5	4	3	2	1	0
R/W	R/W	R/W	R/W	R/W	R/W	R/W	R/W
MSTR Mode	Continue/ Busy	Xmit Mode	ACK	Addr	ARB Lost/ Restart	Received Stop	I ² C Enable

Figure 12-2. I²C Status and Control Register 0x28 (read/write)

The I²C Status and Control register bits are defined in *Table 12-1*, with a more detailed description following.

Table 12-1. I²C Status and Control Register Bit Definitions

Bit	Name	Description
0	I ² C Enable	Write to 1 to enable I ² C compatible function. When cleared, I ² C GPIO pins operate normally.
1	Received Stop	Reads 1 only in slave receive mode, when I ² C Stop bit detected (unless firmware did not ACK the last transaction).
2	ARB Lost/Restart	Reads 1 to indicate master has lost arbitration. Reads 0 otherwise. Write to 1 in master mode to perform a restart sequence (also set Continue bit).
3	Addr	Reads 1 during first byte after start/restart in slave mode, or if master loses arbitration. Reads 0 otherwise. This bit should always be written as 0.
4	ACK	In receive mode, write 1 to generate ACK, 0 for no ACK. In transmit mode, reads 1 if ACK was received, 0 if no ACK received.
5	Xmit Mode	Write to 1 for transmit mode, 0 for receive mode.
6	Continue/Busy	Write 1 to indicate ready for next transaction. Reads 1 when I ² C compatible block is busy with a transaction, 0 when transaction is complete.
7	MSTR Mode	Write to 1 for master mode, 0 for slave mode. This bit is cleared if master loses arbitration. Clearing from 1 to 0 generates Stop bit.

MSTR Mode: Setting this bit causes the I²C compatible block to initiate a master mode transaction by sending a start bit and transmitting the first data byte from the data register (this typically holds the target address and R/W bit). Subsequent bytes are initiated by setting the Continue bit, as described below.

In master mode, the I²C compatible block generates the clock (SCK), and drives the data line as required depending on transmit or receive state. The I²C compatible block performs any required arbitration and clock synchronization. The loss of arbitration results in the clearing of this bit, the setting of the ARB Lost bit, and the generation of an interrupt to the microcontroller. If the chip is the target of an external master that wins arbitration, then the interrupt is held off until the transaction from the external master is completed.

When MSTR Mode is cleared from 1 to 0 by a firmware write, an I²C Stop bit is generated.

Continue / Busy: This bit is written by the firmware to indicate that the firmware is ready for the next byte transaction to begin. In other words, the bit has responded to an interrupt request and has completed the required update or read of the data register. During a read this bit indicates if the hardware is busy and is locking out additional writes to the I²C Status and Control register. This locking allows the hardware to complete certain operations that may require an extended period of time. Following an I²C interrupt, the I²C compatible block does not return to the Busy state until firmware sets the Continue bit. This allows the firmware to make one control register write without the need to check the Busy bit.

Xmit Mode: This bit is set by firmware to enter transmit mode and perform a data transmit in master or slave mode. Clear this bit for receive mode. Firmware generally determines the value of this bit from the R/W bit associated with the I²C address packet. The Xmit Mode bit state is ignored when initially writing the MSTR Mode or the Restart bits, as these cases always cause transmit mode for the first byte.

ACK: This bit is set or cleared by firmware during receive operation to indicate if the hardware should generate an ACK signal on the I²C compatible bus. Writing a 1 to this bit generates an ACK (SDA LOW) on the I²C compatible bus at the ACK bit time. During transmits (Xmit Mode = 1), this bit should be cleared.

Addr: This bit is set by the I²C compatible block during the first byte of a slave receive transaction, after an I²C start or restart. The Addr bit is cleared when the firmware sets the Continue bit. This bit allows the firmware to recognize when the master has lost arbitration, and in slave mode it allows the firmware to recognize that a start or restart has occurred.

ARB Lost/Restart: This bit is valid as a status bit (ARB Lost) after master mode transactions. In master mode, set this bit (along with the Continue and MSTR Mode bits) to perform an I²C restart sequence. The I²C target address for the restart must be written to the data register before setting the Continue bit. To prevent false ARB Lost signals, the Restart bit is cleared by hardware during the restart sequence.

Receive Stop: This bit is set when the slave is in receive mode and detects a stop bit on the bus. The Receive Stop bit is not set if the firmware terminates the I²C transaction by not acknowledging the previous byte transmitted on the I²C compatible bus, e.g. in receive mode if firmware sets the Continue bit and clears the ACK bit.

I²C Enable: Set this bit to override GPIO definition with I²C compatible function on the two I²C compatible pins. When this bit is cleared, these pins are free to function as GPIOs. In I²C compatible mode, the two pins operate in open drain mode, independent of the GPIO configuration setting.

13.0 Processor Status and Control Register

7	6	5	4	3	2	1	0
R	R/W	R/W	R/W	R/W	R		R/W
IRQ Pending	Watch Dog Reset	USB Bus Reset Interrupt	Power-On Reset	Suspend	Interrupt Enable Sense	reserved	Run

Figure 13-1. Processor Status and Control Register 0xFF

The Run bit, bit 0, is manipulated by the HALT instruction. When Halt is executed, all the bits of the Processor Status and Control Register are cleared to 0. Since the run bit is cleared, the processor stops at the end of the current instruction. The processor remains halted until an appropriate reset occurs (power-on or Watch Dog). This bit should normally be written as a '1.'

Bit 1 is reserved and must be written as a zero.

The Interrupt Enable Sense (bit 2) shows whether interrupts are enabled or disabled. Firmware has no direct control over this bit as writing a zero or one to this bit position has no effect on interrupts. A '0' indicates that interrupts are masked off and a '1' indicates that the interrupts are enabled. This bit is further gated with the bit settings of the Global Interrupt Enable Register (0x20) and USB End Point Interrupt Enable Register (0x21). Instructions DI, EI, and RETI manipulate the state of this bit.

Writing a '1' to the Suspend bit (bit 3) halts the processor and cause the microcontroller to enter the suspend mode that significantly reduces power consumption. A pending, enabled interrupt or USB bus activity causes the device to come out of suspend. After coming out of suspend, the device resumes firmware execution at the instruction following the IOWR which put the part into suspend. An IOWR attempting to put the part into suspend is ignored if non-idle USB bus activity is present. See Section 8.0 for more details on suspend mode operation.

The Power-On Reset (bit 4) is set to '1' during a power-on reset. The firmware can check bits 4 and 6 in the reset handler to determine whether a reset was caused by a power-on condition or a watch dog timeout. A POR event may be followed by a watch dog reset before firmware begins executing, as explained below.

The USB Bus Reset Interrupt (bit 5) occurs when a USB Bus Reset is received on the upstream port. The USB Bus Reset is a single-ended zero (SE0) that lasts from 12 to 16 μ s. An SE0 is defined as the condition in which both the D+ line and the D- line are LOW at the same time. When the SIE detects that this SE0 condition is removed, the USB Bus Reset interrupt bit is set in the Processor Status and Control Register and a USB Bus Reset interrupt is generated.

The Watch Dog Reset (bit 6) is set during a reset initiated by the Watch Dog Timer. This indicates the Watch Dog Timer went for more than t_{WATCH} (8 ms minimum) between Watch Dog clears. This can occur with a POR event, as noted below.

The IRQ pending (bit 7), when set, indicates that one or more of the interrupts has been recognized as active. An interrupt remains pending until its interrupt enable bit is set (registers 0x20 or 0x21) and interrupts are globally enabled. At that point, the internal interrupt handling sequence clears this bit until another interrupt is detected as pending.

During power-up, the Processor Status and Control Register is set to 00010001, which indicates a POR (bit 4 set) has occurred and no interrupts are pending (bit 7 clear). During the 96 ms suspend at start-up (explained in Section 7.1), a Watch Dog Reset also occurs unless this suspend is aborted by an upstream SE0 before 8 ms. If a WDR occurs during the power-up suspend

interval, firmware reads 01010001 from the Status and Control Register after power-up. Normally, the POR bit should be cleared so a subsequent WDR can be clearly identified. If an upstream bus reset is received before firmware examines this register, the Bus Reset bit may also be set.

During a Watch Dog Reset, the Processor Status and Control Register is set to 01XX0001, which indicates a Watch Dog Reset (bit 6 set) has occurred and no interrupts are pending (bit 7 clear). The Watch Dog Reset does not effect the state of the POR and the Bus Reset Interrupt bits.

14.0 Interrupts

Interrupts are generated by the GPIO pins, the internal timers, I²C compatible operation, the internal USB hub, or on various USB traffic conditions. All interrupts are maskable by the Global Interrupt Enable Register and the USB End Point Interrupt Enable Register. Writing a '1' to a bit position enables the interrupt associated with that bit position. During a reset, the contents the Global Interrupt Enable Register and USB End Point Interrupt Enable Register are cleared, effectively disabling all interrupts.

7	6	5	4	3	2	1	0
	R/W	R/W		R/W	R/W	R/W	R/W
Reserved	I ² C Interrupt Enable	GPIO Interrupt Enable	Reserved	USB Hub Interrupt Enable	1.024-ms Interrupt Enable	128- μ s Interrupt Enable	USB Bus RST Interrupt Enable

Figure 14-1. Global Interrupt Enable Register 0x20 (read/write)

7	6	5	4	3	2	1	0
			R/W	R/W	R/W	R/W	R/W
Reserved	Reserved	Reserved	EPB1 Interrupt Enable	EPB0 Interrupt Enable	EPA2 Interrupt Enable	EPA1 Interrupt Enable	EPA0 Interrupt Enable

Figure 14-2. USB Endpoint Interrupt Enable Register 0x21 (read/write)

The interrupt controller contains a separate flip-flop for each interrupt. See *Figure 14-3* for the logic block diagram of the interrupt controller. When an interrupt is generated, it is first registered as a pending interrupt. It stays pending until it is serviced or a reset occurs. A pending interrupt only generates an interrupt request if it is enabled by the corresponding bit in the interrupt enable registers. The highest priority interrupt request is serviced following the completion of the currently executing instruction.

When servicing an interrupt, the hardware first disables all interrupts by clearing the Global Interrupt Enable bit in the CPU (the state of this bit can be read at Bit 2 of the Processor Status and Control Register). Second, the flip-flop of the current interrupt is cleared. This is followed by an automatic CALL instruction to the ROM address associated with the interrupt being serviced (i.e., the Interrupt Vector, see Section 14.1). The instruction in the interrupt table is typically a JMP instruction to the address of the Interrupt Service Routine (ISR). The user can re-enable interrupts in the interrupt service routine by executing an EI instruction. Interrupts can be nested to a level limited only by the available stack space.

The Program Counter value as well as the Carry and Zero flags (CF, ZF) are stored onto the Program Stack by the automatic CALL instruction generated as part of the interrupt acknowledge process. The user firmware is responsible for ensuring that the processor state is preserved and restored during an interrupt. The PUSH A instruction should typically be used as the first command in the ISR to save the accumulator value and the POP A instruction should be used to restore the accumulator value just before the RETI instruction. The program counter CF and ZF are restored and interrupts are enabled when the RETI instruction is executed.

The DI and EI instructions can be used to disable and enable interrupts, respectively. These instructions affect only the Global Interrupt Enable bit of the CPU. If desired, EI can be used to re-enable interrupts while inside an ISR, instead of waiting for the RETI that exists the ISR. While the global interrupt enable bit is cleared, the presence of a pending interrupt can be detected by examining the IRQ Sense bit (Bit 7 in the Processor Status and Control Register).

14.1 Interrupt Vectors

The Interrupt Vectors supported by the USB Controller are listed in *Table 14-1*. The lowest-numbered interrupt (USB Bus Reset interrupt) has the highest priority, and the highest-numbered interrupt (I²C interrupt) has the lowest priority. Although Reset is not an interrupt, the first instruction executed after a reset is at PROM address 0x0000h—which corresponds to the first entry in the Interrupt Vector Table. Because the JMP instruction is 2 bytes long, the interrupt vectors occupy 2 bytes.

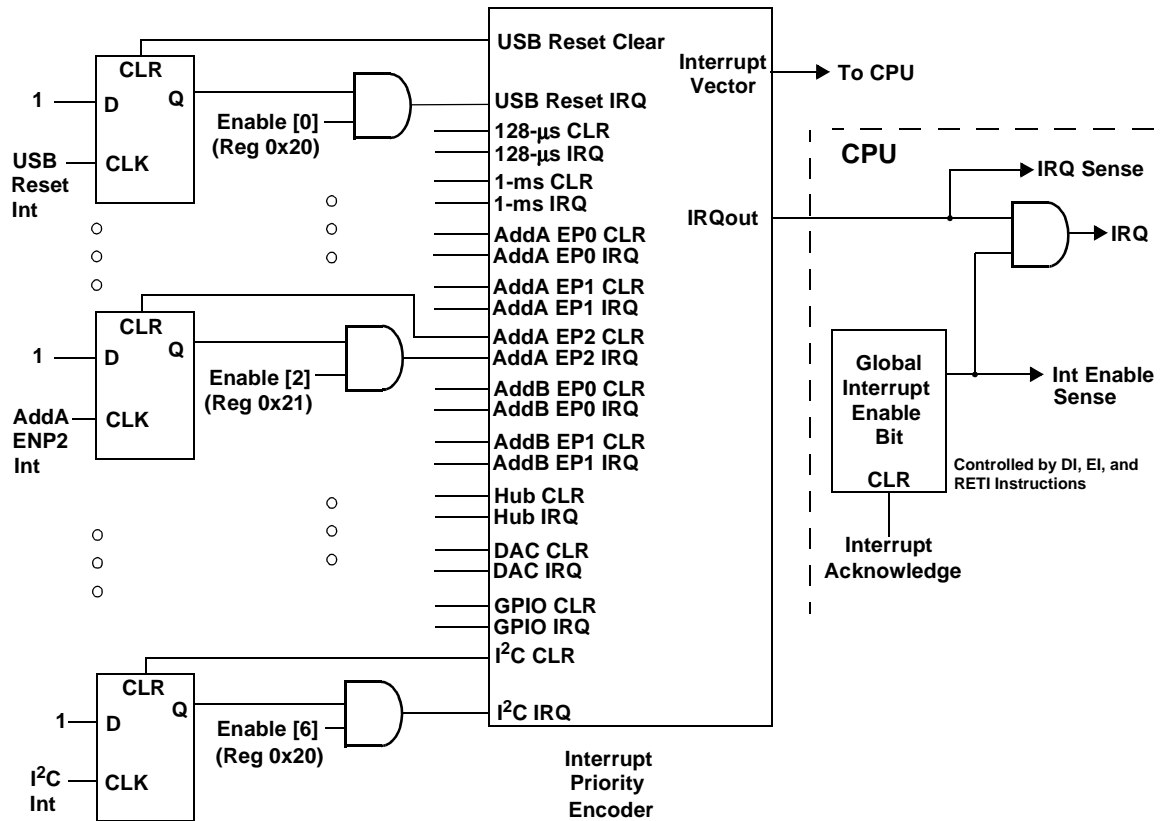


Figure 14-3. Interrupt Controller Functional Diagram

Table 14-1. Interrupt Vector Assignments

Interrupt Vector Number	ROM Address	Function
Not Applicable	0x0000	Execution after Reset begins here
1	0x0002	USB Bus Reset interrupt
2	0x0004	128-µs timer interrupt
3	0x0006	1.024-ms timer interrupt
4	0x0008	USB Address A Endpoint 0 interrupt
5	0x000A	USB Address A Endpoint 1 interrupt
6	0x000C	USB Address A Endpoint 2 interrupt
7	0x000E	USB Address B Endpoint 0 interrupt
8	0x0010	USB Address B Endpoint 1 interrupt
9	0x0012	USB Hub interrupt
10	0x0014	DAC interrupt
11	0x0016	GPIO interrupt
12	0x0018	I ² C interrupt

A pending address can be read from the Interrupt Vector Register (Figure 14-4). The value read from this register is only valid if the Global Interrupt bit has been disabled, by executing the DI instruction or in an Interrupt Service Routine before interrupts have been re-enabled. The value read from this register is the interrupt vector address; for example, a 0x12 indicates the hub interrupt is the highest priority pending interrupt.

7	6	5	4	3	2	1	0
			R	R	R	R	R
Reserved	Reserved	Reserved	Interrupt Vector Bit 4	Interrupt Vector Bit 3	Interrupt Vector Bit 2	Interrupt Vector Bit 1	Reads '0'

Figure 14-4. Interrupt Vector Register 0x23 (read only)

14.2 Interrupt Latency

Interrupt latency can be calculated from the following equation:

$$\text{Interrupt latency} = (\text{Number of clock cycles remaining in the current instruction}) + (10 \text{ clock cycles for the CALL instruction}) + (5 \text{ clock cycles for the JMP instruction})$$

For example, if a 5 clock cycle instruction such as JC is being executed when an interrupt occurs, the first instruction of the Interrupt Service Routine executes a minimum of 16 clocks (1+10+5) or a maximum of 20 clocks (5+10+5) after the interrupt is issued. For a 12-MHz internal clock (6-MHz crystal), 20 clock periods is $20 / 12 \text{ MHz} = 1.667 \mu\text{s}$.

14.3 USB Bus Reset Interrupt

The USB Controller recognizes a USB Reset when a Single Ended Zero (SE0) condition persists on the upstream USB port for 12–16 μs (the Reset may be recognized for an SE0 as short as 12 μs , but is always recognized for an SE0 longer than 16 μs). SE0 is defined as the condition in which both the D+ line and the D– line are LOW. Bit 5 of the Status and Control Register is set to record this event. The interrupt is asserted at the end of the Bus Reset. If the USB reset occurs during the start-up delay following a POR, the delay is aborted as described in Section 7.1. The USB Bus Reset Interrupt is generated when the SE0 state is deasserted.

A USB Bus Reset clears the following registers:

- SIE Section: USB Device Address Registers (0x10, 0x40)
- Hub Section: Hub Ports Connect Status (0x48)
 - Hub Ports Enable (0x49)
 - Hub Ports Speed (0x4A)
 - Hub Ports Suspend (0x4D)
 - Hub Ports Resume Status (0x4E)
 - Hub Ports SE0 Status (0x4F)
 - Hub Ports Data (0x50)
 - Hub Downstream Force (0x51)

14.4 Timer Interrupt

There are two periodic timer interrupts: the 128- μs interrupt and the 1.024-ms interrupt. The user should disable both timer interrupts before going into the suspend mode to avoid possible conflicts between servicing the timer interrupts first or the suspend request first.

14.5 USB Endpoint Interrupts

There are five USB endpoint interrupts, one per endpoint. A USB endpoint interrupt is generated after the USB host writes to a USB endpoint FIFO or after the USB controller sends a packet to the USB host. The interrupt is generated on the last packet of the transaction (e.g., on the host's ACK during an IN, or on the device ACK during an OUT). If no ACK is received during an IN transaction, no interrupt is generated.

14.6 USB Hub Interrupt

A USB hub interrupt is generated by the hardware after a connect/disconnect change, babble, or a resume event is detected by the USB repeater hardware. The babble and resume events are additionally gated by the corresponding bits of the Hub Port Enable Register (*Figure 16-3*). The connect/disconnect event on a port does not generate an interrupt if the SIE does not drive the port (i.e., the port is being forced).

14.7 GPIO Interrupt

Each of the GPIO pins can generate an interrupt, if enabled. The interrupt polarity can be programmed for each GPIO port as part of the GPIO configuration. All of the GPIO pins share a single interrupt vector, which means the firmware needs to read the GPIO ports with enabled interrupts to determine which pin or pins caused an interrupt. A block diagram of the GPIO interrupt logic is shown in *Figure 14-5*. Refer to Sections 9.1 and 9.2 for more information of setting GPIO interrupt polarity and enabling individual GPIO interrupts.

If one port pin has triggered an interrupt, no other port pins can cause a GPIO interrupt until that port pin has returned to its inactive (non-trigger) state or its corresponding port interrupt enable bit is cleared. The USB Controller does not assign interrupt priority to different port pins and the Port Interrupt Enable Registers are not cleared during the interrupt acknowledge process.

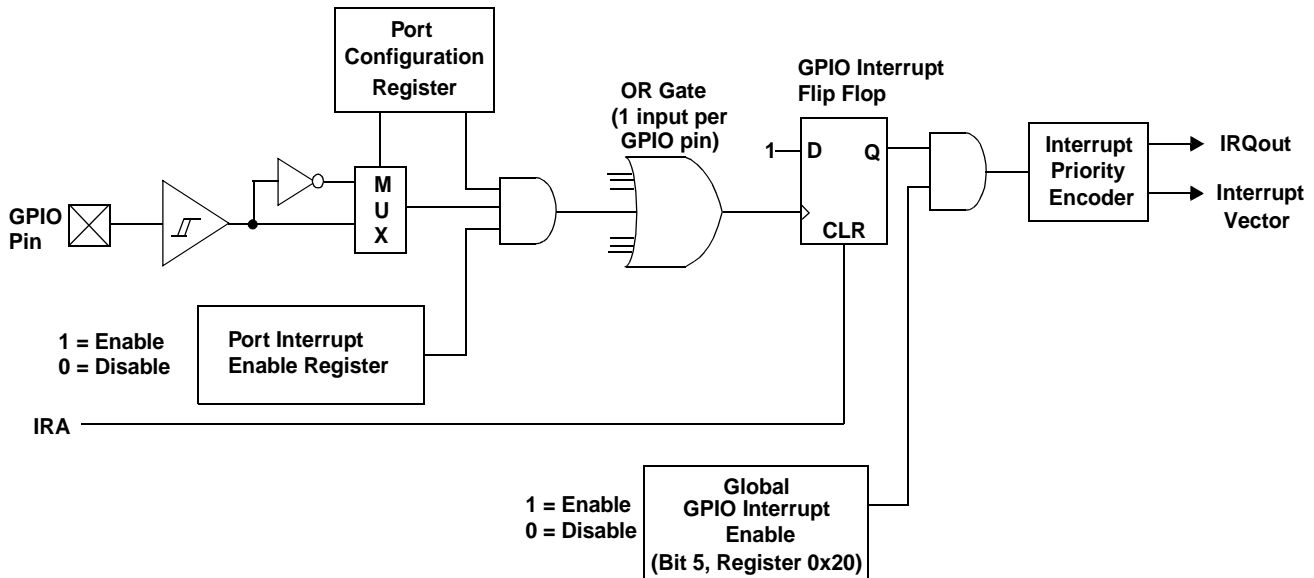


Figure 14-5. GPIO Interrupt Structure

14.8 I²C Interrupt

The I²C interrupt occurs after various events on the I²C compatible bus to signal the need for firmware interaction. This generally involves reading the I²C Status and Control Register (*Figure 12-2*) to determine the cause of the interrupt, loading/reading the I²C Data Register as appropriate, and finally writing the Status and Control Register to initiate the subsequent transaction. The interrupt indicates that status bits are stable and it is safe to read and write the I²C registers. Refer to Section 12.0 for details on the I²C registers.

When enabled, the I²C compatible state machines generate interrupts on completion of the following conditions. The referenced bits are in the I²C Status and Control Register.

1. In slave receive mode, after the slave receives a byte of data. The Addr bit is set if this is the first byte since a start or restart signal was sent by the external master. Firmware must read or write the data register as necessary, then set the ACK, Xmit Mode, and Continue bits appropriately for the next byte.
2. In slave receive mode, after a stop bit is detected. The Received Stop bit is set. If the stop bit follows a slave receive transaction where the ACK bit was cleared to 0, no stop bit detection occurs.
3. In slave transmit mode, after the slave transmits a byte of data. The ACK bit indicates if the master that requested the byte acknowledged the byte. If more bytes are to be sent, firmware writes the next byte into the Data Register and then sets the Xmit Mode and Continue bits as required.
4. In master transmit mode, after the master sends a byte of data. Firmware should load the Data Register if necessary, and set the Xmit Mode, MSTR Mode, and Continue/Busy bits appropriately. Clearing the MSTR Mode bit issues a stop signal to the I²C compatible bus and return to the idle state.
5. In master receive mode, after the master receives a byte of data. Firmware should read the data and set the Ack and Continue/Busy bits appropriately for the next byte. Clearing the Master bit at the same time causes the master state machine to issue a stop signal to the I²C compatible bus and leave the I²C compatible hardware in the idle state.
6. When the master loses arbitration. This condition clears the Master bit and sets the Arbitration Lost bit immediately and then waits for a stop signal on the I²C compatible bus to generate the interrupt.

The Continue/Busy bit is cleared by hardware prior to interrupt conditions 1 to 4. Once the Data Register has been read or written, firmware should configure the other control bits and set the Continue bit for subsequent transactions.

Following an interrupt from master mode, firmware should perform only one write to the Status and Control Register that sets the Continue bit, without checking the value of the Busy bit. The Busy bit may otherwise be active and I²C register contents may be changed by the hardware during the transaction, until the I²C interrupt occurs.

15.0 USB Overview

The USB hardware includes a USB Hub repeater with one upstream and up to seven downstream ports. The USB Hub repeater interfaces to the microcontroller through a full-speed serial interface engine (SIE). An external series resistor of R_{ext} must be placed in series with all upstream and downstream USB outputs in order to meet the USB driver requirements of the USB specification. The CY7C65x13 microcontroller can provide the functionality of a compound device consisting of a USB hub and permanently attached functions.

15.1 USB Serial Interface Engine (SIE)

The SIE allows the CY7C65x13 microcontroller to communicate with the USB host through the USB repeater portion of the hub. The SIE simplifies the interface between the microcontroller and USB by incorporating hardware that handles the following USB bus activity independently of the microcontroller:

- Bit stuffing/unstuffing
- Checksum generation/checking
- ACK/NAK/STALL
- Token type identification
- Address checking

Firmware is required to handle the following USB interface tasks:

- Coordinate enumeration by responding to SETUP packets
- Fill and empty the FIFOs
- Suspend/Resume coordination
- Verify and select DATA toggle values

15.2 USB Enumeration

The internal hub and any compound device function are enumerated under firmware control. The hub is enumerated first, followed by any integrated compound function. After the hub is enumerated, the USB host can read hub connection status to determine which (if any) of the downstream ports need to be enumerated. The following is a brief summary of the typical enumeration process of the CY7C65x13 by the USB host. For a detailed description of the enumeration process, refer to the USB specification.

In this description, 'Firmware' refers to embedded firmware in the CY7C65x13 controller.

1. The host computer sends a SETUP packet followed by a DATA packet to USB address 0 requesting the Device descriptor.
2. Firmware decodes the request and retrieves its Device descriptor from the program memory tables.
3. The host computer performs a control read sequence and Firmware responds by sending the Device descriptor over the USB bus, via the on-chip FIFOs.
4. After receiving the descriptor, the host sends a SETUP packet followed by a DATA packet to address 0 assigning a new USB address to the device.
5. Firmware stores the new address in its USB Device Address Register (for example, as Address B) after the no-data control sequence completes.
6. The host sends a request for the Device descriptor using the new USB address.
7. Firmware decodes the request and retrieves the Device descriptor from program memory tables.
8. The host performs a control read sequence and Firmware responds by sending its Device descriptor over the USB bus.
9. The host generates control reads from the device to request the Configuration and Report descriptors.
10. Once the device receives a Set Configuration request, its functions may now be used.
11. Following enumeration as a hub, Firmware can optionally indicate to the host that a compound device exists (for example, the keyboard in a keyboard/hub device).
12. The host carries out the enumeration process with this additional function as though it were attached downstream from the hub.
13. When the host assigns an address to this device, it is stored as the other USB address (for example, Address A).

16.0 USB Hub

A USB hub is required to support:

- Connectivity behavior: service connect/disconnect detection
- Bus fault detection and recovery
- Full-/Low-speed device support

These features are mapped onto a hub repeater and a hub controller. The hub controller is supported by the processor integrated into the CY7C65x13 microcontrollers. The hardware in the hub repeater detects whether a USB device is connected to a downstream port and the interface speed of the downstream device. The connection to a downstream port is through a differential signal pair (D+ and D-). Each downstream port provided by the hub requires external R_{UDN} resistors from each signal line to ground, so that when a downstream port has no device connected, the hub reads a LOW (zero) on both D+ and D-. This condition is used to identify the “no connect” state.

The hub must have a resistor R_{UUP} connected between its upstream D+ line and V_{REG} to indicate it is a full speed USB device. The hub generates an EOP at EOF1, in accordance with the USB 1.1 Specification.

16.1 Connecting/Disconnecting a USB Device

A low-speed (1.5 Mbps) USB device has a pull-up resistor on the D- pin. At connect time, the bias resistors set the signal levels on the D+ and D- lines. When a low-speed device is connected to a hub port, the hub sees a LOW on D+ and a HIGH on D-. This causes the hub repeater to set a connect bit in the Hub Ports Connect Status register for the downstream port. The hub repeater also sets a bit in the Hub Ports Speed register to indicate this port is low-speed (see *Figure 16-1* and *Figure 16-2*). Then the hub repeater generates a Hub Interrupt to notify the microcontroller that there has been a change in the Hub downstream status.

A full-speed (12 Mbps) USB device has a pull-up resistor from the D+ pin, so the hub sees a HIGH on D+ and a LOW on D-. In this case, the hub repeater sets a connect bit in the Hub Ports Connect Status register, clears a bit in the Hub Ports Speed register (for full-speed), and generates a Hub Interrupt to notify the microcontroller of the change in Hub status.

Connects are recorded by the time a non-SE0 state lasts for more than 2.5 μ s on a downstream port.

When a USB device is disconnected from the Hub, the downstream signal pair eventually floats to a single-ended zero state. The hub repeater recognizes a disconnect once the SE0 state on a downstream port lasts from 2.0 to 2.5 μ s. On a disconnect, the corresponding bit in the Hub Ports Connect Status register is cleared, and the Hub Interrupt is generated.

7	6	5	4	3	2	1	0
Reserved	Port 7 Connect Status	Port 6 Connect Status	Port 5 Connect Status	Port 4 Connect Status	Port 3 Connect Status	Port 2 Connect Status	Port 1 Connect Status

Figure 16-1. Hub Ports Connect Status 0x48 (read/write), 1 = Connect, 0 = Disconnect

The Hub Ports Connect Status register is cleared to zero by reset or bus reset, then set to match the hardware configuration by the hub repeater hardware. The Reserved bit [7] should always read as ‘0’ to indicate no connection.

7	6	5	4	3	2	1	0
Reserved	Port 7 Speed	Port 6 Speed	Port 5 Speed	Port 4 Speed	Port 3 Speed	Port 2 Speed	Port 1 Speed

Figure 16-2. Hub Ports Speed 0x4A (read/write), 1 = Low-Speed, 0 = Full-Speed

The Hub Ports Speed register is cleared to zero by reset or bus reset, then set to match the hardware configuration whenever a connect occurs. Firmware may write this register if desired, to allow for firmware debouncing of the speed detection. The Reserved bit [7] should always read as ‘0.’

16.2 Enabling/Disabling a USB Device

After a USB device connection has been detected, firmware must update status change bits in the hub status change data structure that is polled periodically by the USB host. The host responds by sending a packet that instructs the hub to reset and enable the downstream port. Firmware then sets the bit in the Hub Ports Enable register, *Figure 16-3*, for the downstream port. The hub repeater hardware responds to an enable bit in the Hub Ports Enable register by enabling the downstream port, so that USB traffic can flow to and from that port.

If a port is marked enabled and is not suspended, it receives all USB traffic from the upstream port, and USB traffic from the downstream port is passed to the upstream port (unless babble is detected). Low-speed ports do not receive full-speed traffic from the upstream port.

When firmware writes to the Hub Ports Enable register to enable a port, the port is not enabled until the end of any packet currently being transmitted. If there is no USB traffic, the port is enabled immediately.

When a USB device disconnection has been detected, firmware must update status bits in the hub change status data structure that is polled periodically by the USB host. In suspend, a connect or disconnect event generates an interrupt (if the hub interrupt is enabled) even if the port is disabled.

7	6	5	4	3	2	1	0
Reserved	Port 7 Enable	Port 6 Enable	Port 5 Enable	Port 4 Enable	Port 3 Enable	Port 2 Enable	Port 1 Enable

Figure 16-3. Hub Ports Enable Register 0x49 (read/write), 1 = Enabled, 0 = Disabled

The Hub Ports Enable register is cleared to zero by reset or bus reset to disable all downstream ports as the default condition. A port is also disabled by internal hub hardware (enable bit cleared) if babble is detected on that downstream port. Babble is defined as:

- Any non-idle downstream traffic on an enabled downstream port at EOF2
- Any downstream port with upstream connectivity established at EOF2 (i.e., no EOP received by EOF2)

16.3 Hub Downstream Ports Status and Control

Data transfer on hub downstream ports is controlled according to the bit settings of the Hub Downstream Ports Control Register (Figure 16-4). Each downstream port is controlled by two bits, as defined in Table 16-1 below. The Hub Downstream Ports Control Register is cleared upon reset or bus reset, and the reset state is the state for normal USB traffic. Any downstream port being forced must be marked as disabled (Figure 16-3) for proper operation of the hub repeater.

Firmware should use this register for driving bus reset and resume signaling to downstream ports. Controlling the port pins through this register uses standard USB edge rate control according to the speed of the port, set in the Hub Port Speed Register.

The downstream USB ports are designed for connection of USB devices, but can also serve as output ports under firmware control. This allows unused USB ports to be used for functions such as driving LEDs or providing additional input signals. Pulling up these pins to voltages above V_{REF} may cause current flow into the pin.

This register is not reset by bus reset. These bits must be cleared before going into suspend.

7	6	5	4	3	2	1	0
Port 4 Control Bit 1	Port 4 Control Bit 0	Port 3 Control Bit 1	Port 3 Control Bit 0	Port 2 Control Bit 1	Port 2 Control Bit 0	Port 1 Control Bit 1	Port 1 Control Bit 0

Figure 16-4. Hub Downstream Ports Control Register 0x4B (read/write)

Table 16-1. Control Bit Definition for Downstream Ports

Control Bits: Bit1 Bit 0	Control Action
0 0	Not Forcing (Normal USB Function)
0 1	Force Differential '1' (D+ HIGH, D- LOW)
1 0	Force Differential '0' (D+ LOW, D- HIGH)
1 1	Force SE0 state

An alternate means of forcing the downstream ports is through the Hub Ports Force Low Register (Figure 16-5) and Hub Ports Force High Register (Figure 16-6). With these registers the pins of the downstream ports can be individually forced LOW, or left unforced. Unlike the Hub Downstream Ports Control Register, above, the Force Low Register does not produce standard USB edge rate control on the forced pins. However, this register allows downstream port pins to be held LOW in suspend. This register can be used to drive SE0 on all downstream ports when unconfigured, as required in the USB 1.1 specification.

7	6	5	4	3	2	1	0
Force Low DD4 D+	Force Low DD4 D-	Force Low DD3 D+	Force Low DD3 D-	Force Low DD2 D+	Force Low DD2 D-	Force Low DD1 D+	Force Low DD1 D-

Figure 16-5. Hub Ports Force Low Register (read/write) 0x51, 1 = Force Low, 0 = No Force

7	6	5	4	3	2	1	0
Reserved	Reserved	Force High DD7 D+	Force High DD7 D-	Force High DD6 D+	Force High DD6 D-	Force High DD5 D+	Force High DD5 D-

Figure 16-6. Hub Ports Force High Register (read/write) 0x52, 1 = Force High, 0 = No Force

The data state of downstream ports can be read through the HUB Ports SE0 Status Register (*Figure 16-7*) and the Hub Ports Data Register (*Figure 16-8*). The data read from the Hub Ports Data Register is the differential data only and is not dependent on the settings of the Hub Ports Speed Register (*Figure 16-2*). When the SE0 condition is sensed on a downstream port, the corresponding bits of the Hub Ports Data Register hold the last differential data state before the SE0. Hub Ports SE0 Status Register and Hub Ports Data Register are cleared upon reset or bus reset.

7	6	5	4	3	2	1	0
Reserved	Port 7 SE0 Status	Port 6 SE0 Status	Port 5 SE0 Status	Port 4 SE0 Status	Port 3 SE0 Status	Port 2 SE0 Status	Port 1 SE0 Status

Figure 16-7. Hub Ports SE0 Status Register 0x4F (read only), 1 = SE0, 0 = Non-SE0

7	6	5	4	3	2	1	0
Reserved	Port 7 Diff. Data	Port 6 Diff. Data	Port 5 Diff. Data	Port 4 Diff. Data	Port 3 Diff. Data	Port 2 Diff. Data	Port 1 Diff. Data

Figure 16-8. Hub Ports Data Register 0x50 (read only), 1 = (D+ > D-), 0 = (D+ < D-)

16.4 Downstream Port Suspend and Resume

The Hub Ports Suspend Register (*Figure 16-9*) and Hub Ports Resume Status Register (*Figure 16-10*) indicate the suspend and resume conditions on downstream ports. The suspend register must be set by firmware for any ports that are selectively suspended. Also, this register is only valid for ports that are selectively suspended.

If a port is marked as selectively suspended, normal USB traffic is not sent to that port. Resume traffic is also prevented from going to that port, unless the Resume comes from the selectively suspended port. If a resume condition is detected on the port, hardware reflects a Resume back to the port, sets the Resume bit in the Hub Ports Resume Register, and generates a hub interrupt.

If a disconnect occurs on a port marked as selectively suspended, the suspend bit is cleared.

The Device Remote Wakeup bit (bit 7) of the Hub Ports Suspend Register controls whether or not the resume signal is propagated by the hub after a connect or a disconnect event. If the Device Remote Wakeup bit is set, the hub will automatically propagate the resume signal after a connect or a disconnect event. If the Device Remote Wakeup bit is cleared, the hub will not propagate the resume signal. The setting of the Device Remote Wakeup flag has no impact on the propagation of the resume signal after a downstream remote wakeup event. The hub will automatically propagate the resume signal after a remote wakeup event, regardless of the state of the Device Remote wakeup bit. The state of this bit has no impact on the generation of the hub interrupt.

A resume bit is set automatically when hardware detects a resume condition on a selectively suspended downstream port. The resume condition is a differential '1' for a low-speed device and a differential '0' for a full-speed device.

These registers are cleared on reset or bus reset.

7	6	5	4	3	2	1	0
Device Remote Wakeup	Port 7 Selective Suspend	Port 6 Selective Suspend	Port 5 Selective Suspend	Port 4 Selective Suspend	Port 3 Selective Suspend	Port 2 Selective Suspend	Port 1 Selective Suspend

Figure 16-9. Hub Ports Suspend Register 0x4D (read/write), 1 = Port is Selectively Suspended

7	6	5	4	3	2	1	0
Reserved	Resume 7	Resume 6	Resume 5	Resume 4	Resume 3	Resume 2	Resume 1

Figure 16-10. Hub Ports Resume Status Register 0x4E (read only), 1 = Port is in Resume State

Resume from a selectively suspended port, with the hub not in suspend, typically involves these actions:

1. Hardware detects the Resume, drives a K to the port, and generates the hub interrupt. The corresponding bit in the Resume Status Register (0x4E) reads '1' in this case.
2. Firmware responds to hub interrupt, and reads register 0x4E to determine the source of the Resume.
3. Firmware begins driving K on the port for 10 ms or more through register 0x4B.
4. Firmware clears the Selective Suspend bit for the port (0x4D), which clears the Resume bit (0x4E). This ends the hardware-driven Resume, but the firmware-driven Resume continues. To prevent traffic being fed by the hub repeater to the port during or just after the Resume, firmware should disable this port.
5. Firmware drives a timed SE0 on the port for two low-speed bit times as appropriate. Firmware must disable interrupts during this SE0 so the SE0 pulse isn't inadvertently lengthened, and appear as a bus reset to the downstream device.
6. Firmware drives a J on the port for one low-speed bit time, then it idles the port.
7. Firmware re-enables the port.

Resume when the hub is suspended typically involves these actions:

1. Hardware detects the Resume, drives a K on the upstream (which is then reflected to all downstream enabled ports), and generates the hub interrupt.
2. The part comes out of suspend and the clocks start.
3. Once the clocks are stable, firmware execution resumes. An internal counter ensures that this takes at least 1 ms. Firmware should check for Resume from any selectively suspended ports. If found, the Selective Suspend bit for the port should be cleared; no other action is necessary.
4. The Resume ends when the host stops sending K from upstream. Firmware should check for changes to the Enable and Connect Registers. If a port has become disabled but is still connected, an SE0 has been detected on the port. The port should be treated as having been reset, and should be reported to the host as newly connected.

Firmware can choose to clear the Device Remote Wake-up bit (if set) to implement firmware timed states for port changes. All allowed port changes wake the part. Then, the part can use internal timing to determine whether to take action or return to suspend. If Device Remote Wake-up is set, automatic hardware assertions take place on Resume events.

16.5 USB Upstream Port Status and Control

USB status and control is regulated by the USB Status and Control Register, as shown in *Figure 16-11*. All bits in the register are cleared during reset.

7	6	5	4	3	2	1	0
R/W	R/W	R	R	R/C	R/W	R/W	R/W
Endpoint Size	Endpoint Mode	D+ Upstream	D- Upstream	Bus Activity	Control Bit 2	Control Bit 1	Control Bit 0

Figure 16-11. USB Status and Control Register 0x1F (read/write)

The three control bits allow the upstream port to be driven manually by firmware. For normal USB operation, all of these bits must be cleared. *Table 16-2* shows how the control bits affect the upstream port.

Table 16-2. Control Bit Definition for Upstream Port

Control Bits	Control Action
000	Not Forcing (SIE Controls Driver)
001	Force D+[0] HIGH, D-[0] LOW
010	Force D+[0] LOW, D-[0] HIGH
011	Force SE0; D+[0] LOW, D-[0] LOW
100	Force D+[0] LOW, D-[0] LOW
101	Force D+[0] HiZ, D-[0] LOW
110	Force D+[0] LOW, D-[0] HiZ
111	Force D+[0] HiZ, D-[0] HiZ

Bus Activity (bit 3) is a “sticky” bit that indicates if any non-idle USB event has occurred on the upstream USB port. Firmware should check and clear this bit periodically to detect any loss of bus activity. Writing a ‘0’ to the Bus Activity bit clears it, while writing a ‘1’ preserves the current value. In other words, the firmware can clear the Bus Activity bit, but only the SIE can set it.

The Upstream D– and D+ (bits 4 and 5) are read only. These give the state of each upstream port pin individually: 1 = HIGH, 0 = LOW.

Endpoint Mode (bit 6) and Endpoint Size (bit 7) are used to configure the number and size of USB endpoints. See *Section 17.2* for a detailed description of these bits.

The hub generates an EOP at EOF1 in accordance with the USB 1.1 Specification, *Section 11.2.2*.

17.0 USB Serial Interface Engine Operation

The CY7C65x13 Serial Interface Engine (SIE) supports operation as a single device or a compound device. This section describes the two device addresses, the configurable endpoints, and the endpoint function.

17.1 USB Device Addresses

The USB Controller provides two USB Device Address Registers (A and B). Upon reset and under default conditions, Device A has three endpoints and Device B has two endpoints. The USB Device Address Register contents are cleared during a reset, setting the USB device addresses to zero and disabling these addresses. *Figure 17-1* shows the format of the USB Address Registers.

7	6	5	4	3	2	1	0
Device Address Enable	Device Address Bit 6	Device Address Bit 5	Device Address Bit 4	Device Address Bit 3	Device Address Bit 2	Device Address Bit 1	Device Address Bit 0

Figure 17-1. USB Device Address Registers 0x10, 0x40 (read/write)

Bit 7 (Device Address Enable) in the USB Device Address Register must be set by firmware before the SIE can respond to USB traffic to these addresses. The Device Address in bits [6:0] are set by firmware during the USB enumeration process to the non-zero address assigned by the USB host.

17.2 USB Device Endpoints

The CY7C65x13 controller supports up to two addresses and five endpoints for communication with the host. The configuration of these endpoints, and associated FIFOs, is controlled by bits [7,6] of the USB Status and Control Register (see *Figure 16-11*). Bit 7 controls the size of the endpoints and bit 6 controls the number of addresses. These configuration options are detailed in *Table 17-1*. Endpoint FIFOs are part of user RAM (as shown in *Section 5.4.1*).

Table 17-1. Memory Allocation for Endpoints

Two USB addr: 3 EP for Addr A, 2 EP for Addr B						One USB address (A), 5 EP					
Reg 0x1F, Bits [7,6] = [0,0]			Reg 0x1F, Bits [7,6] = [1,0]			Reg 0x1F, Bits [7,6] = [0,1]			Reg 0x1F, Bits [7,6] = [1,1]		
Label	Start Address	Size	Label	Start Address	Size	Label	Start Address	Size	Label	Start Address	Size
EPB1	0xD8	8	EPB0	0xA8	8	EPA4	0xD8	8	EPA3	0xA8	8
EPB0	0xE0	8	EPB1	0xB0	8	EPA3	0xE0	8	EPA4	0xB0	8
EPA2	0xE8	8	EPA0	0xB8	8	EPA2	0xE8	8	EPA0	0xB8	8
EPA1	0xF0	8	EPA1	0xC0	32	EPA1	0xF0	8	EPA1	0xC0	32
EPA0	0xF8	8	EPA2	0xE0	32	EPA0	0xF8	8	EPA2	0xE0	32

When the SIE writes data to a FIFO, the internal data bus is driven by the SIE; not the CPU. This causes a short delay in the CPU operation. The delay is three clock cycles per byte. For example, an 8-byte data write by the SIE to the FIFO generates a delay of 2 μ s (3 cycles/byte * 83.33 ns/cycle * 8 bytes).

17.3 USB Control Endpoint Mode Registers

All USB devices are required to have a control endpoint 0 (EPA0 and EPB0) that is used to initialize and control each USB address. Endpoint 0 provides access to the device configuration information and allows generic USB status and control accesses. Endpoint 0 is bidirectional to both receive and transmit data. The other endpoints are unidirectional, but selectable by the user as IN or OUT endpoints.

The endpoint mode registers are cleared during reset. The endpoint zero EPA0 and EPB0 mode registers use the format shown in *Figure 17-2*. **Note:** In 5-endpoint mode, Register 0x42 serves as non-control endpoint 3, and has the format for non-control endpoints shown in *Figure 17-3*.

7	6	5	4	3	2	1	0
Endpoint 0 SETUP Received	Endpoint 0 IN Received	Endpoint 0 OUT Received	ACK	Mode Bit 3	Mode Bit 2	Mode Bit 1	Mode Bit 0

Figure 17-2. USB Device Endpoint Zero Mode Registers 0x12 and 0x42, (read/write)

Bits[7:5] in the endpoint 0 mode registers are status bits that are set by the SIE to report the type of token that was most recently received by the corresponding device address. These bits must be cleared by firmware as part of the USB processing.

The ACK bit (bit 4) is set whenever the SIE engages in a transaction to the register's endpoint that completes with an ACK packet.

The SETUP PID status (bit 7) is forced HIGH from the start of the data packet phase of the SETUP transaction until the start of the ACK packet returned by the SIE. The CPU is prevented from clearing this bit during this interval, and subsequently, until the CPU first does an IORD to this endpoint 0 mode register.

Bits[6:0] of the endpoint 0 mode register are locked from CPU write operations whenever the SIE has updated one of these bits, which the SIE does only at the end of the token phase of a transaction (SETUP... Data... ACK, OUT... Data... ACK, or IN... Data... ACK). The CPU can unlock these bits by doing a subsequent read of this register. Only endpoint 0 mode registers are locked when updated. The locking mechanism does not apply to the mode registers of other endpoints.

Because of these hardware locking features, firmware must perform an IORD after an IOWR to an endpoint 0 register. This verifies that the contents have changed as desired, and that the SIE has not updated these values.

While the SETUP bit is set, the CPU cannot write to the endpoint zero FIFOs. This prevents firmware from overwriting an incoming SETUP transaction before firmware has a chance to read the SETUP data. Refer to *Table 17-1* for the appropriate endpoint zero memory locations.

The Mode bits (bits [3:0]) control how the endpoint responds to USB bus traffic. The mode bit encoding is shown in *Table 18-1*. Additional information on the mode bits can be found in *Table 18-2* and *Table 18-3*. Note that the SIE offers an "Ack out - Status in" mode and not an "Ack out - Nak in" mode. Therefore, if following the status stage of a Control Write transfer a USB host were to immediately start the next transfer, the new Setup packet could override the data payload of the data stage of the previous Control Write.

17.4 USB Non-Control Endpoint Mode Registers

The format of the non-control endpoint mode registers is shown in *Figure 17-3*.

7	6	5	4	3	2	1	0
STALL	Reserved	Reserved	ACK	Mode Bit 3	Mode Bit 2	Mode Bit 1	Mode Bit 0

Figure 17-3. USB Non-Control Device Endpoint Mode Registers 0x14, 0x16, 0x44, (read/write)

The mode bits (bits [3:0]) of the Endpoint Mode Register control how the endpoint responds to USB bus traffic. The mode bit encoding is shown in *Table 18-1*.

The ACK bit (bit 4) is set whenever the SIE engages in a transaction to the register's endpoint that completes with an ACK packet. If STALL (bit 7) is set, the SIE stalls an OUT packet if the mode bits are set to ACK-IN, and the SIE stalls an IN packet if the mode bits are set to ACK-OUT. For all other modes, the STALL bit must be a LOW.

Bits 5 and 6 are reserved and must be written to zero during register writes.

17.5 USB Endpoint Counter Registers

There are five Endpoint Counter registers, with identical formats for both control and non-control endpoints. These registers contain byte count information for USB transactions, as well as bits for data packet status. The format of these registers is shown in *Figure 17-4*:

7	6	5	4	3	2	1	0
Data 0/1 Toggle	Data Valid	Byte Count Bit 5	Byte Count Bit 4	Byte Count Bit 3	Byte Count Bit 2	Byte Count Bit 1	Byte Count Bit 0

Figure 17-4. USB Endpoint Counter Registers 0x11, 0x13, 0x15, 0x41, 0x43 (read/write)

The counter bits (bits [5:0]) indicate the number of data bytes in a transaction. For IN transactions, firmware loads the count with the number of bytes to be transmitted to the host from the endpoint FIFO. Valid values are 0 to 32, inclusive. For OUT or SETUP transactions, the count is updated by hardware to the number of data bytes received, plus 2 for the CRC bytes. Valid values are 2 to 34, inclusive.

Data Valid bit 6 is used for OUT and SETUP tokens only. Data is loaded into the FIFOs during the transaction, and then the Data Valid bit is set if a proper CRC is received. If the CRC is not correct, the endpoint interrupt occurs, but Data Valid is cleared to a zero.

Data 0/1 Toggle bit 7 selects the DATA packet's toggle state: 0 for DATA0, 1 for DATA1. For IN transactions, firmware must set this bit to the desired state. For OUT or SETUP transactions, the hardware sets this bit to the state of the received Data Toggle bit.

Whenever the count updates from a SETUP or OUT transaction on endpoint 0, the counter register locks and cannot be written by the CPU. Reading the register unlocks it. This prevents firmware from overwriting a status update on incoming SETUP or OUT transactions before firmware has a chance to read the data. Only endpoint 0 counter register is locked when updated. The locking mechanism does not apply to the count registers of other endpoints.

17.6 Endpoint Mode/Count Registers Update and Locking Mechanism

The contents of the endpoint mode and counter registers are updated, based on the packet flow diagram in *Figure 17-5*. Two time points, UPDATE and SETUP, are shown in the same figure. The following activities occur at each time point:

UPDATE:

1. Endpoint Mode Register - All the bits are updated (except the SETUP bit of the endpoint 0 mode register).
2. Counter Registers - All bits are updated.
3. Interrupt - If an interrupt is to be generated as a result of the transaction, the interrupt flag for the corresponding endpoint is set at this time. For details on what conditions are required to generate an endpoint interrupt, refer to *Table 18-2*.
4. The contents of the updated endpoint 0 mode and counter registers are locked, except the SETUP bit of the endpoint 0 mode register which was locked earlier.

SETUP:

The SETUP bit of the endpoint 0 mode register is forced HIGH at this time. This bit is forced HIGH by the SIE until the end of the data phase of a control write transfer. The SETUP bit can not be cleared by firmware during this time.

The affected mode and counter registers of endpoint 0 are locked from any CPU writes once they are updated. These registers can be unlocked by a CPU read, only if the read operation occurs after the UPDATE. The firmware needs to perform a register read as a part of the endpoint ISR processing to unlock the effected registers. The locking mechanism on mode and counter registers ensures that the firmware recognizes the changes that the SIE might have made since the previous IO read of that register.

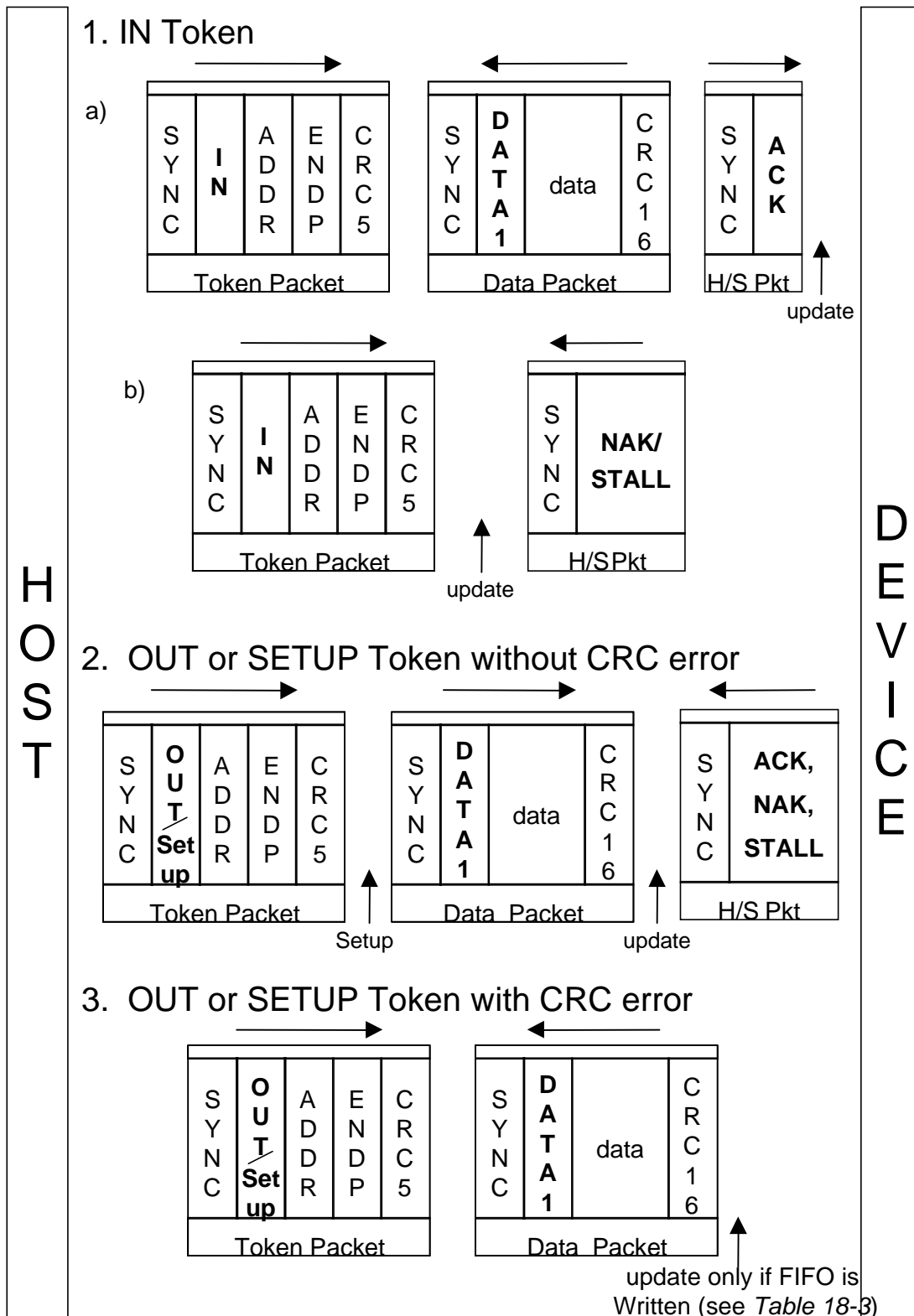


Figure 17-5. Token/Data Packet Flow Diagram

18.0 USB Mode Tables

Table 18-1. USB Register Mode Encoding

Mode	Encoding	Setup	In	Out	Comments
Disable	0000	ignore	ignore	ignore	Ignore all USB traffic to this endpoint
Nak In/Out	0001	accept	NAK	NAK	Forced from Setup on Control endpoint, from modes other than 0000
Status Out Only	0010	accept	stall	check	For Control endpoints
Stall In/Out	0011	accept	stall	stall	For Control endpoints
Ignore In/Out	0100	accept	ignore	ignore	For Control endpoints
Isochronous Out	0101	ignore	ignore	always	For Isochronous endpoints
Status In Only	0110	accept	TX 0	stall	For Control Endpoints
Isochronous In	0111	ignore	TX cnt	ignore	For Isochronous endpoints
Nak Out	1000	ignore	ignore	NAK	An ACK from mode 1001 --> 1000
Ack Out(STALL ^{[3]=0}) Ack Out(STALL ^{[3]=1})	1001 1001	ignore ignore	ignore ignore	ACK stall	This mode is changed by SIE on issuance of ACK --> 1000
Nak Out - Status In	1010	accept	TX 0	NAK	An ACK from mode 1011 --> 1010
Ack Out - Status In	1011	accept	TX 0	ACK	This mode is changed by SIE on issuance of ACK --> 1010
Nak In	1100	ignore	NAK	ignore	An ACK from mode 1101 --> 1100
Ack IN(STALL ^{[3]=0}) Ack IN(STALL ^{[3]=1})	1101 1101	ignore ignore	TX cnt stall	ignore ignore	This mode is changed by SIE on issuance of ACK --> 1100
Nak In - Status Out	1110	accept	NAK	check	An ACK from mode 1111 --> 111 Ack In - Status Out
Ack In - Status Out	1111	accept	TX cnt	check	This mode is changed by SIE on issuance of ACK -->1110

The 'In' column represents the SIE's response to the token type.

A disabled endpoint remains disabled until it is changed by firmware, and all endpoints reset to the disabled state.

Any SETUP packet to an enabled endpoint with mode set to accept SETUPS is changed by the SIE to 0001 (NAKing). Any mode set to accept a SETUP, ACKs a valid SETUP transaction.

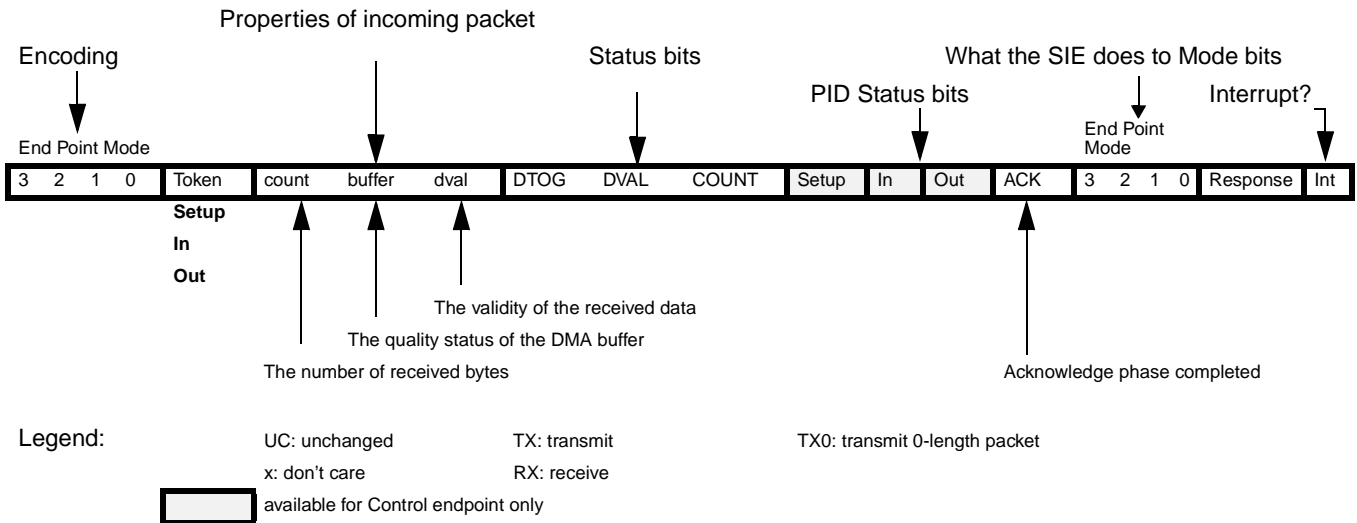
Most modes that control transactions involving an ending ACK, are changed by the SIE to a corresponding mode which NAKs subsequent packets following the ACK. Exceptions are modes 1010 and 1110.

A Control endpoint has three extra status bits for PID (Setup, In and Out), but must be placed in the correct mode to function as such. Non-Control endpoints should not be placed into modes that accept SETUPS.

A 'check' on an Out token during a Status transaction checks to see that the Out is of zero length and has a Data Toggle (DTOG) of '1.' If the DTOG bit is set and the received Out Packet has zero length, the Out is ACKed to complete the transaction. Otherwise, the Out is STALLED.

Note:

3. STALL bit is bit 7 of the USB Non-Control Device Endpoint Mode registers. For more information, refer to Section 17.4.

Table 18-2. Decode table for Table 18-3: “Details of Modes for Differing Traffic Conditions”


The response of the SIE can be summarized as follows:

1. The SIE only responds to valid transactions and ignores non-valid ones.
2. The SIE generates an interrupt when a valid transaction is completed or when the FIFO is corrupted. FIFO corruption occurs during an OUT or SETUP transaction to a valid internal address that ends with a non-valid CRC.
3. An incoming Data packet is valid if the count is \leq Endpoint Size + 2 (includes CRC) and passes all error checking.
4. An IN is ignored by an OUT configured endpoint and vice versa.
5. The IN and OUT PID status is updated at the end of a transaction.
6. The SETUP PID status is updated at the beginning of the Data packet phase.
7. The entire Endpoint 0 mode register and the count register are locked from CPU writes at the end of any transaction to that endpoint in which either an ACK is transferred or the mode bits have changed. These registers are only unlocked by a CPU read of these registers, and only if that read happens after the transaction completes. This represents about a 1- μ s window in which the CPU is locked from register writes to these USB registers. Normally, the firmware should perform a register read at the beginning of the Endpoint ISRs to unlock and get the mode register information. The interlock on the Mode and Count registers ensures that the firmware recognizes the changes that the SIE might have made during the previous transaction.



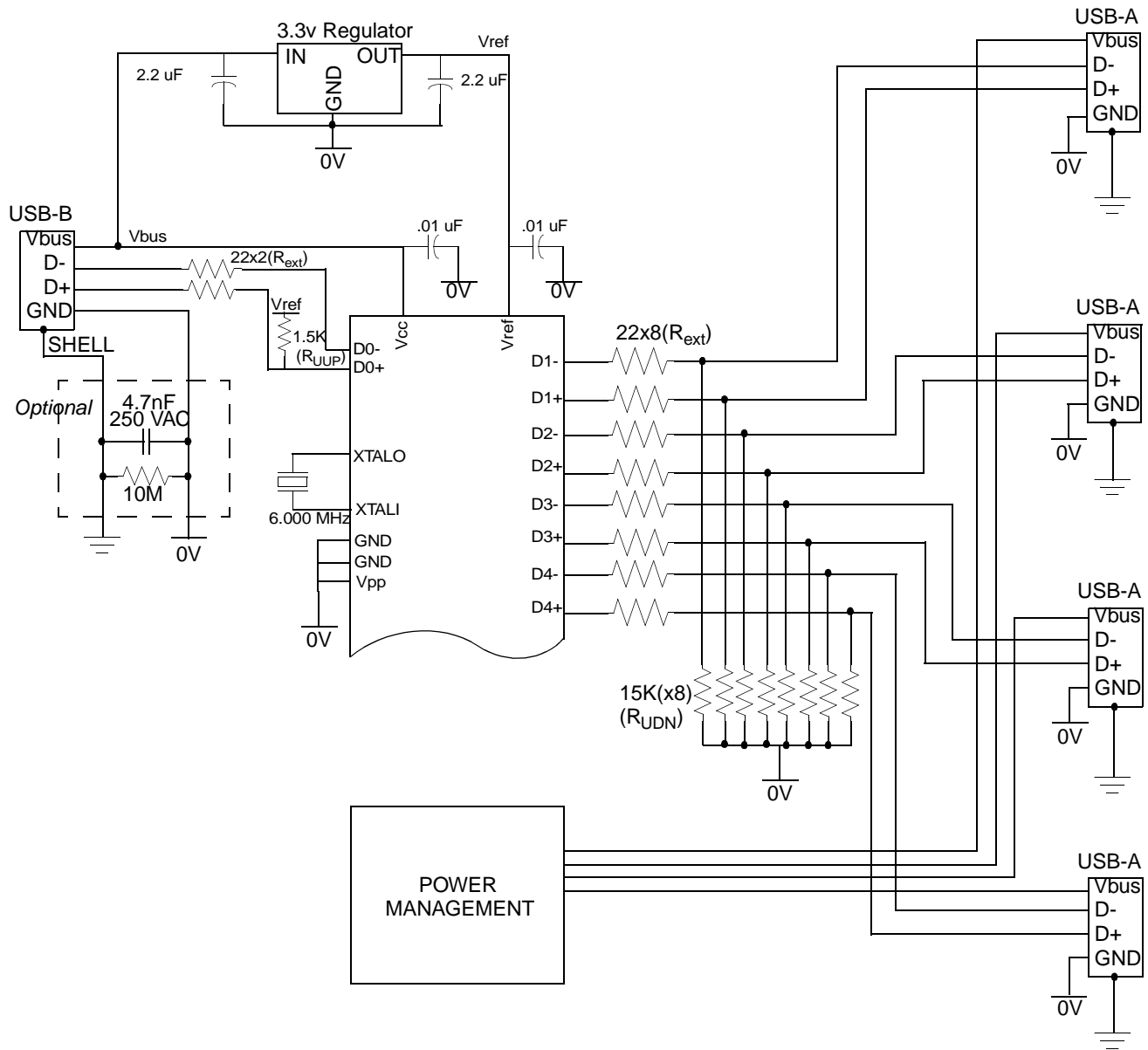
Table 18-3. Details of Modes for Differing Traffic Conditions (see Table 18-2 for the decode legend)

End Point Mode											PID				Set End Point Mode					
3	2	1	0	token	count	buffer	dval	DTOG	DVAL	COUNT	Setup	In	Out	ACK	3	2	1	0	response	int
Setup Packet (if accepting)																				
See Table 18-1	Setup	<= 10	data	valid	updates	1	updates	1	UC	UC	1	0	0	0	1	ACK	yes			
See Table 18-1	Setup	> 10	junk	x	updates	updates	updates	1	UC	UC	UC	NoChange	ignore	yes						
See Table 18-1	Setup	x	junk	invalid	updates	0	updates	1	UC	UC	UC	NoChange	ignore	yes						
Disabled																				
0	0	0	0	x	x	UC	x	UC	UC	UC	UC	UC	UC	UC	NoChange	ignore	no			
Nak In/Out																				
0	0	0	1	Out	x	UC	x	UC	UC	UC	UC	UC	1	UC	NoChange	NAK	yes			
0	0	0	1	In	x	UC	x	UC	UC	UC	UC	1	UC	UC	NoChange	NAK	yes			
Ignore In/Out																				
0	1	0	0	Out	x	UC	x	UC	UC	UC	UC	UC	UC	UC	NoChange	ignore	no			
0	1	0	0	In	x	UC	x	UC	UC	UC	UC	UC	UC	UC	NoChange	ignore	no			
Stall In/Out																				
0	0	1	1	Out	x	UC	x	UC	UC	UC	UC	UC	1	UC	NoChange	Stall	yes			
0	0	1	1	In	x	UC	x	UC	UC	UC	UC	1	UC	UC	NoChange	Stall	yes			
Control Write																				
Normal Out/premature status In																				
1	0	1	1	Out	<= 10	data	valid	updates	1	updates	UC	UC	1	1	1	0	1	0	ACK	yes
1	0	1	1	Out	> 10	junk	x	updates	updates	updates	UC	UC	1	UC	NoChange	ignore	yes			
1	0	1	1	Out	x	junk	invalid	updates	0	updates	UC	UC	1	UC	NoChange	ignore	yes			
1	0	1	1	In	x	UC	x	UC	UC	UC	UC	1	UC	1	NoChange	TX 0	yes			
NAK Out/premature status In																				
1	0	1	0	Out	<= 10	UC	valid	UC	UC	UC	UC	UC	1	UC	NoChange	NAK	yes			
1	0	1	0	Out	> 10	UC	x	UC	UC	UC	UC	UC	UC	UC	NoChange	ignore	no			
1	0	1	0	Out	x	UC	invalid	UC	UC	UC	UC	UC	UC	UC	NoChange	ignore	no			
1	0	1	0	In	x	UC	x	UC	UC	UC	UC	1	UC	1	NoChange	TX 0	yes			
Status In/extra Out																				
0	1	1	0	Out	<= 10	UC	valid	UC	UC	UC	UC	UC	1	UC	0	0	1	1	Stall	yes
0	1	1	0	Out	> 10	UC	x	UC	UC	UC	UC	UC	UC	UC	NoChange	ignore	no			
0	1	1	0	Out	x	UC	invalid	UC	UC	UC	UC	UC	UC	UC	NoChange	ignore	no			
0	1	1	0	In	x	UC	x	UC	UC	UC	UC	1	UC	1	NoChange	TX 0	yes			
Control Read																				
Normal In/premature status Out																				
1	1	1	1	Out	2	UC	valid	1	1	updates	UC	UC	1	1	NoChange	ACK	yes			
1	1	1	1	Out	2	UC	valid	0	1	updates	UC	UC	1	UC	0	0	1	1	Stall	yes
1	1	1	1	Out	!=2	UC	valid	updates	1	updates	UC	UC	1	UC	0	0	1	1	Stall	yes
1	1	1	1	Out	> 10	UC	x	UC	UC	UC	UC	UC	UC	UC	NoChange	ignore	no			
1	1	1	1	Out	x	UC	invalid	UC	UC	UC	UC	UC	UC	UC	NoChange	ignore	no			
1	1	1	1	In	x	UC	x	UC	UC	UC	UC	1	UC	1	1	1	1	0	ACK (back)	yes
Nak In/premature status Out																				
1	1	1	0	Out	2	UC	valid	1	1	updates	UC	UC	1	1	NoChange	ACK	yes			
1	1	1	0	Out	2	UC	valid	0	1	updates	UC	UC	1	UC	0	0	1	1	Stall	yes
1	1	1	0	Out	!=2	UC	valid	updates	1	updates	UC	UC	1	UC	0	0	1	1	Stall	yes
1	1	1	0	Out	> 10	UC	x	UC	UC	UC	UC	UC	UC	UC	NoChange	ignore	no			
1	1	1	0	Out	x	UC	invalid	UC	UC	UC	UC	UC	UC	UC	NoChange	ignore	no			
1	1	1	0	In	x	UC	x	UC	UC	UC	UC	1	UC	UC	NoChange	NAK	yes			
Status Out/extra In																				
0	0	1	0	Out	2	UC	valid	1	1	updates	UC	UC	1	1	NoChange	ACK	yes			
0	0	1	0	Out	2	UC	valid	0	1	updates	UC	UC	1	UC	0	0	1	1	Stall	yes
0	0	1	0	Out	!=2	UC	valid	updates	1	updates	UC	UC	1	UC	0	0	1	1	Stall	yes

Table 18-3. Details of Modes for Differing Traffic Conditions (see *Table 18-2* for the decode legend) (continued)

End Point Mode											PID				Set End Point Mode					
3	2	1	0	token	count	buffer	dval	DTOG	DVAL	COUNT	Setup	In	Out	ACK	3	2	1	0	response	int
0	0	1	0	Out	> 10	UC	x	UC	UC	UC	UC	UC	UC	UC	NoChange				ignore	no
0	0	1	0	Out	x	UC	invalid	UC	UC	UC	UC	1	UC	UC	NoChange				ignore	no
0	0	1	0	In	x	UC	x	UC	UC	UC	UC	1	UC	UC	0	0	1	1	Stall	yes
Out endpoint																				
Normal Out/erroneous In																				
1	0	0	1	Out	<= 10	data	valid	updates	1	updates	UC	UC	1	1	1	0	0	0	ACK	yes
1	0	0	1	Out	> 10	junk	x	updates	updates	updates	UC	UC	1	UC	NoChange				ignore	yes
1	0	0	1	Out	x	junk	invalid	updates	0	updates	UC	UC	1	UC	NoChange				ignore	yes
1	0	0	1	In	x	UC	x	UC	UC	UC	UC	UC	UC	UC	NoChange				ignore (STALL ^[3] = 0)	no
1	0	0	1	In	x	UC	x	UC	UC	UC	UC	UC	UC	UC	NoChange				Stall (STALL ^[3] = 1)	no
NAK Out/erroneous In																				
1	0	0	0	Out	<= 10	UC	valid	UC	UC	UC	UC	UC	1	UC	NoChange				NAK	yes
1	0	0	0	Out	> 10	UC	x	UC	UC	UC	UC	UC	UC	UC	NoChange				ignore	no
1	0	0	0	Out	x	UC	invalid	UC	UC	UC	UC	UC	UC	UC	NoChange				ignore	no
1	0	0	0	In	x	UC	x	UC	UC	UC	UC	UC	UC	UC	NoChange				ignore	no
Isochronous endpoint (Out)																				
0	1	0	1	Out	x	updates	updates	updates	updates	updates	UC	UC	1	1	NoChange				RX	yes
0	1	0	1	In	x	UC	x	UC	UC	UC	UC	UC	UC	UC	NoChange				ignore	no
In endpoint																				
Normal In/erroneous Out																				
1	1	0	1	Out	x	UC	x	UC	UC	UC	UC	UC	UC	UC	NoChange				ignore (STALL ^[3] = 0)	no
1	1	0	1	Out	x	UC	x	UC	UC	UC	UC	UC	UC	UC	NoChange				stall (STALL ^[3] = 1)	no
1	1	0	1	In	x	UC	x	UC	UC	UC	UC	1	UC	1	1	1	0	0	ACK (back)	yes
NAK In/erroneous Out																				
1	1	0	0	Out	x	UC	x	UC	UC	UC	UC	UC	UC	UC	NoChange				ignore	no
1	1	0	0	In	x	UC	x	UC	UC	UC	UC	1	UC	UC	NoChange				NAK	yes
Isochronous endpoint (In)																				
0	1	1	1	Out	x	UC	x	UC	UC	UC	UC	UC	UC	UC	NoChange				ignore	no
0	1	1	1	In	x	UC	x	UC	UC	UC	UC	1	UC	UC	NoChange				TX	yes

19.0 Sample Schematic



20.0 Absolute Maximum Ratings

Storage Temperature	-65°C to +150°C
Ambient Temperature with Power Applied	0°C to +70°C
Supply voltage on V_{CC} relative to V_{SS}	-0.5V to +7.0V
DC Input Voltage	-0.5V to + $V_{CC}+0.5V$
DC Voltage applied to Outputs in High Z State	-0.5V to + $V_{CC}+0.5V$
Power Dissipation	500 mW
Static Discharge Voltage	>2000V
Latch-up Current	>200 mA
Max Output Sink Current into Port 0, 1, 2, 3	60 mA
Max Output Sink Current into DAC[7:2] Pins	10 mA
Max Output Source Current from Port 1, 2, 3, 4, 5, 6, 7	30 mA

21.0 Electrical Characteristics

$f_{OSC} = 6$ MHz; Operating Temperature = 0 to 70°C, $V_{CC} = 4.0V$ to 5.25V

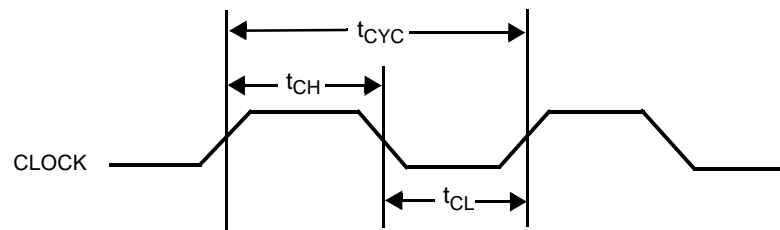
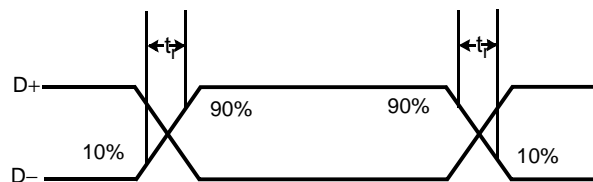
	Parameter	Min.	Max.	Unit	Conditions
General					
V_{REF}	Reference Voltage	3.15	3.45	V	3.3V \pm 5%
V_{pp}	Programming Voltage (disabled)	-0.4	0.4	V	
I_{CC}	V_{CC} Operating Current		50	mA	No GPIO source current
I_{SB1}	Supply Current—Suspend Mode		50	μ A	
I_{ref}	V_{REF} Operating Current		10	mA	No USB Traffic ^[4]
I_{il}	Input Leakage Current		1	μ A	Any pin
USB Interface					
V_{di}	Differential Input Sensitivity	0.2		V	(D+) - (D-)
V_{cm}	Differential Input Common Mode Range	0.8	2.5	V	
V_{se}	Single Ended Receiver Threshold	0.8	2.0	V	
C_{in}	Transceiver Capacitance		20	pF	
I_{lo}	Hi-Z State Data Line Leakage	-10	10	μ A	0V < V_{in} < 3.3V
R_{ext}	External USB Series Resistor	19	21	Ω	In series with each USB pin
R_{UUP}	External Upstream USB Pull-up Resistor	1.425	1.575	k Ω	1.5 k Ω \pm 5%, D+ to V_{REG}
R_{UDN}	External Downstream Pull-down Resistors	14.25	15.75	k Ω	15 k Ω \pm 5%, downstream USB pins
Power On Reset					
t_{vccs}	V_{CC} Ramp Rate	0	100	ms	Linear ramp 0V to V_{CC} ^[5]
USB Upstream/Downstream Port					
V_{UOH}	Static Output High	2.8	3.6	V	15 k Ω \pm 5% to Gnd
V_{UOL}	Static Output Low		0.3	V	1.5 k Ω \pm 5% to V_{REF}
Z_O	USB Driver Output Impedance	28	44	Ω	Including R_{ext} Resistor
General Purpose I/O (GPIO)					
R_{up}	Pull-up Resistance (typical 14 k Ω)	8.0	24.0	k Ω	
V_{ITH}	Input Threshold Voltage	20%	40%	V_{CC}	All ports, low-to-high edge
V_H	Input Hysteresis Voltage	2%	8%	V_{CC}	All ports, high-to-low edge
V_{OL}	Port 0,1,2,3 Output Low Voltage		0.4 2.0	V V	$I_{OL} = 3$ mA $I_{OL} = 8$ mA
V_{OH}	Output High Voltage	2.4		V	$I_{OH} = 1.9$ mA (all ports 0,1,2,3)

4. Add 18 mA per driven USB cable (upstream or downstream). This is based on transitions every 2 full-speed bit times on average.

5. Power-on Reset occurs whenever the voltage on V_{CC} is below approximately 2.5V.

22.0 Switching Characteristics ($f_{OSC} = 6.0 \text{ MHz}$)

Parameter	Description	Min.	Max.	Unit
Clock Source				
f_{OSC}	Clock Rate	$6 \pm 0.25\%$		MHz
t_{cyc}	Clock Period	166.25	167.08	ns
t_{CH}	Clock HIGH time	$0.45 t_{CYC}$		ns
t_{CL}	Clock LOW time	$0.45 t_{CYC}$		ns
USB Full Speed Signaling^[6]				
t_{rfs}	Transition Rise Time	4	20	ns
t_{ffs}	Transition Fall Time	4	20	ns
t_{rfmfs}	Rise/Fall Time Matching: (t_r/t_f)	90	111	%
$t_{dratefs}$	Full Speed Data Rate	$12 \pm 0.25\%$		Mb/s
Timer Signals				
t_{watch}	Watch Dog Timer Period	8.192	14.336	ms


Figure 22-1. Clock Timing

Figure 22-2. USB Data Signal Timing
23.0 Ordering Information

Ordering Code	PROM Size	Package Name	Package Type	Operating Range
CY7C65013-PVC	8 KB	O48	48-Pin (300-Mil) SSOP	Commercial
CY7C65113-SC	8 KB	S21	28-Pin SOIC	Commercial
CY7C65013-PC	8 KB	P25	48-Pin (600 Mil) PDIP	Commercial
CY7C65113-PC	8 KB	P21	28-Pin (300-Mil) PDIP	Commercial

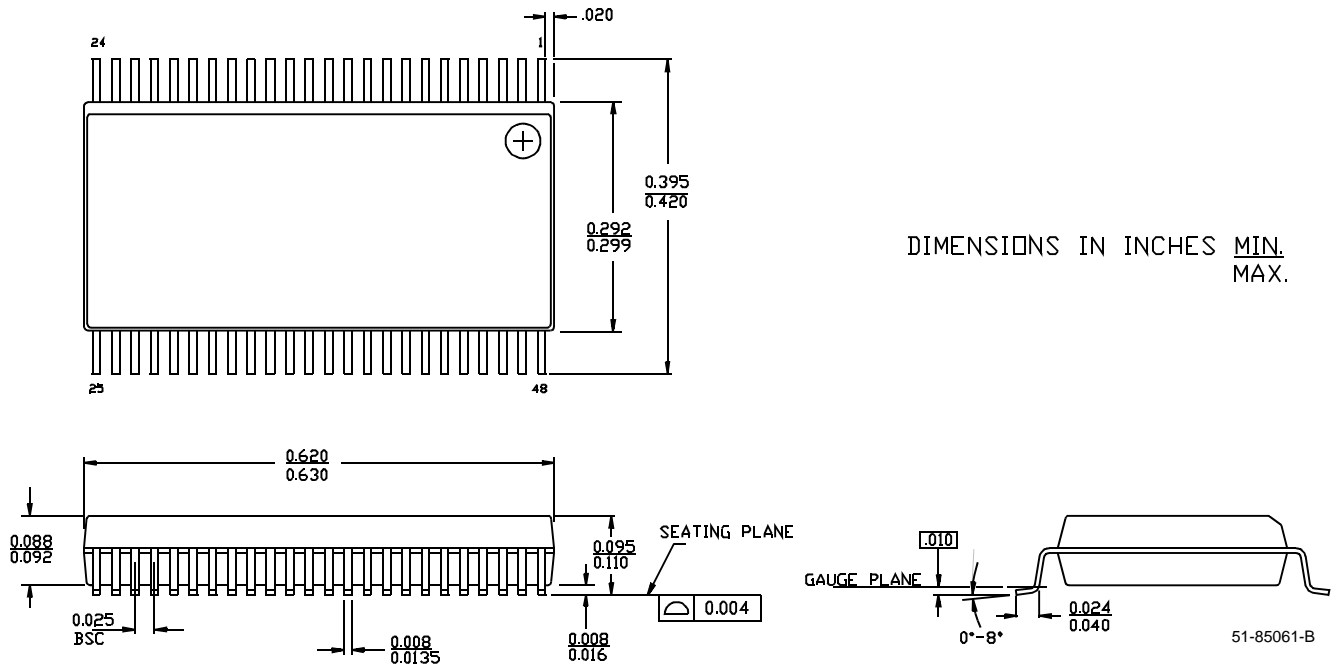
Document #:38-00590-*G

Note:

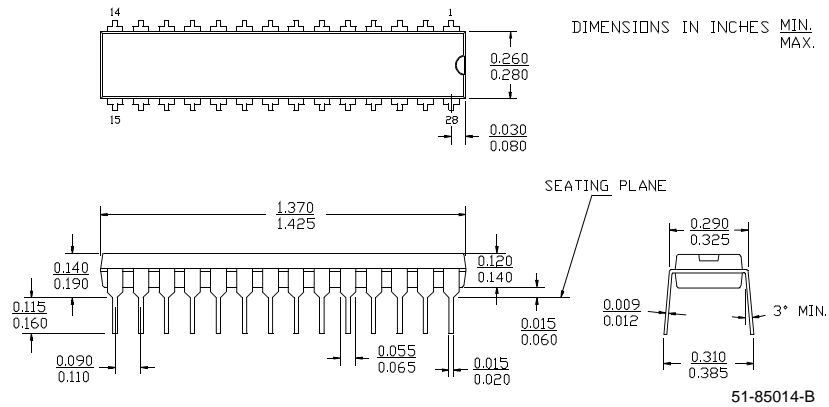
6. Per Table 7-6 of revision 1.1 of USB specification.

24.0 Package Diagrams

48-Lead Shrunken Small Outline Package O48

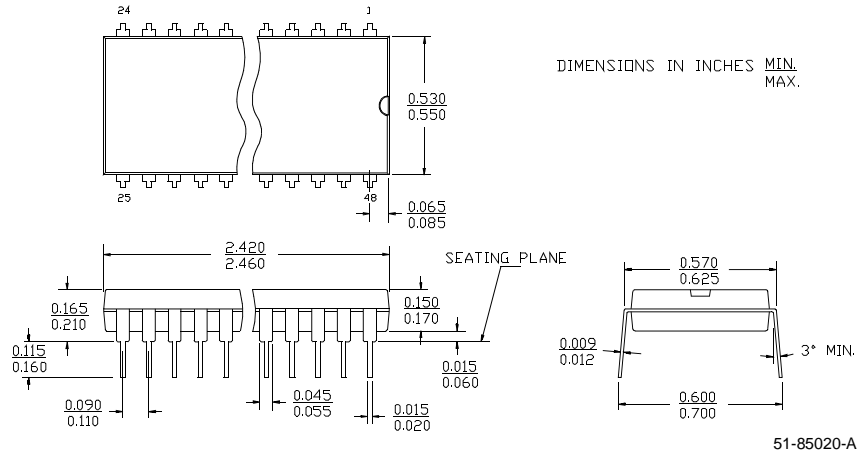


28-Lead (300-Mil) Molded DIP P21



24.0 Package Diagrams (continued)

48-Lead (600-Mil) Molded DIP P25



28-Lead (300-Mil) Molded SOIC S21

